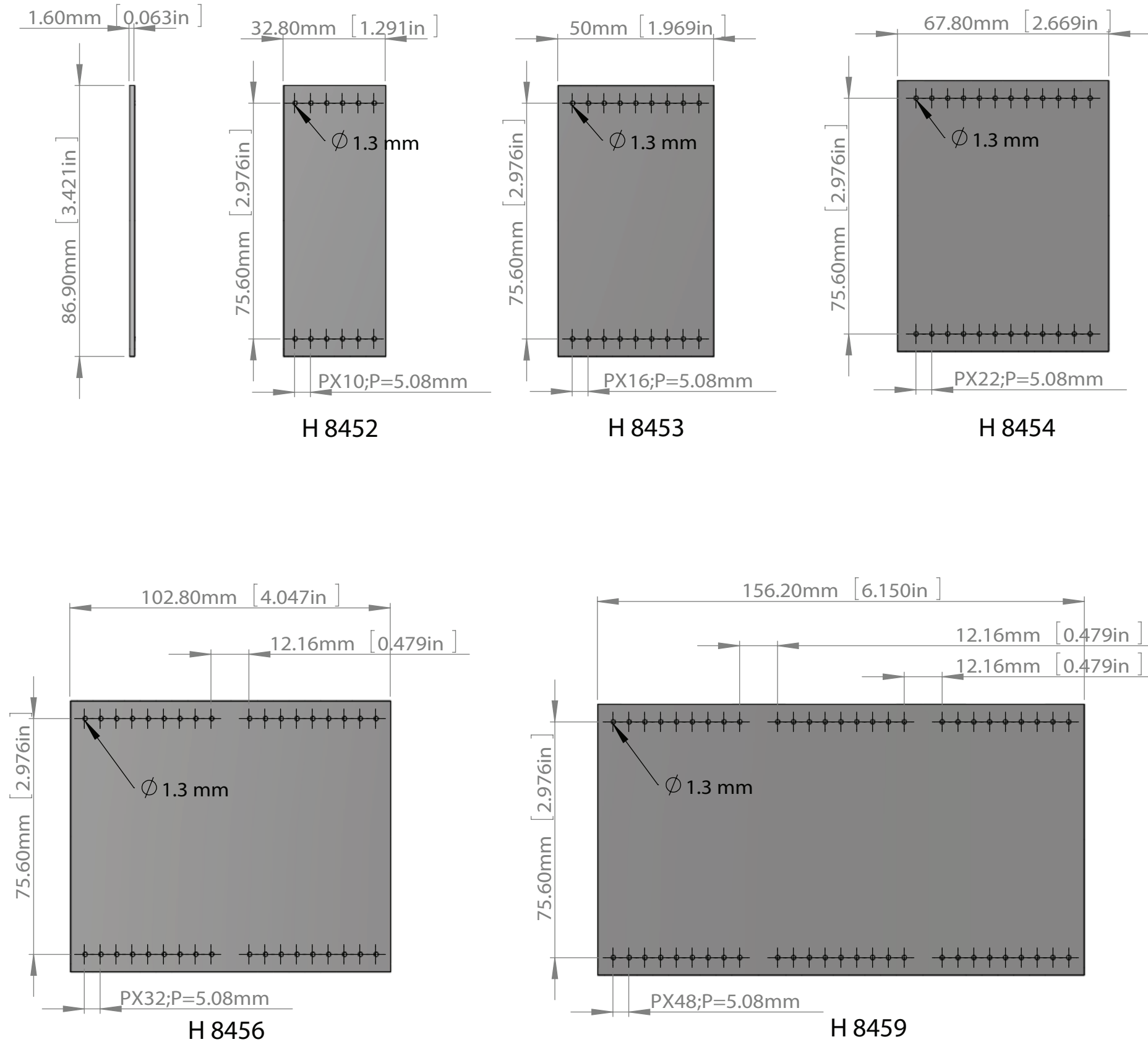
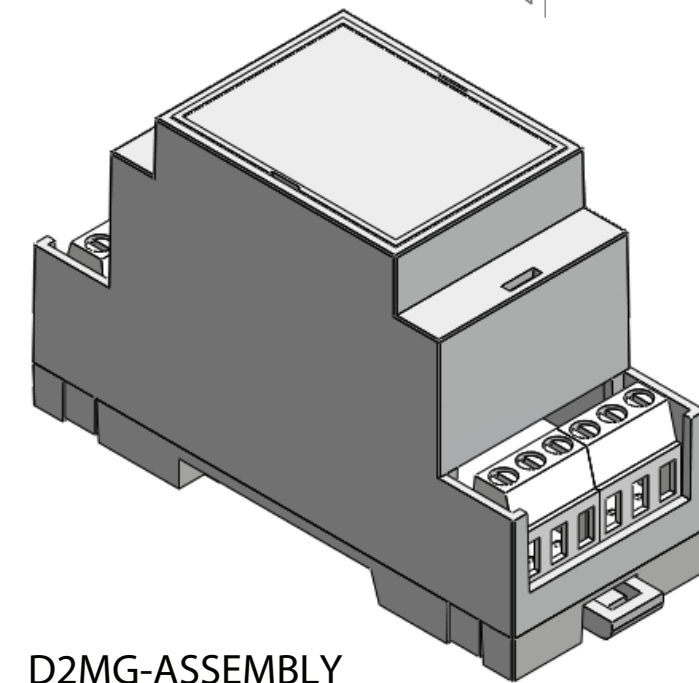
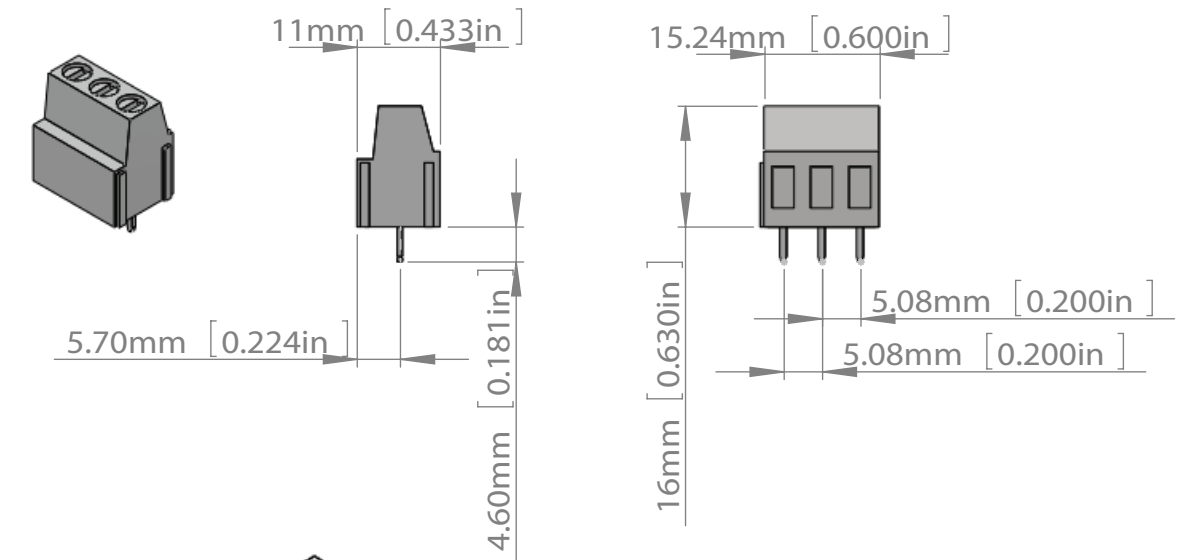


RECOMMENDED CIRCUIT BOARD LAYOUT



5.08mm PIN SPACING-FIXED PCB BLOCKS (NOT SUPPLY)



D2MG-ASSEMBLY

UNIT	
H 8452	4PCS
H 8453	6PCS
H 8454	8PCS
H 8456	12PCS
H 8459	18PCS

CURRENT	16A
VOLTAGE	450V
FLAMMABILITY CLASS	U94-V0
PIN SPACING	5.08mm
CLAMP TYPE	SCREW CAGE
POLE NUMBER	3P