

DESCRIPTION: PROJECTOR BRACKETS

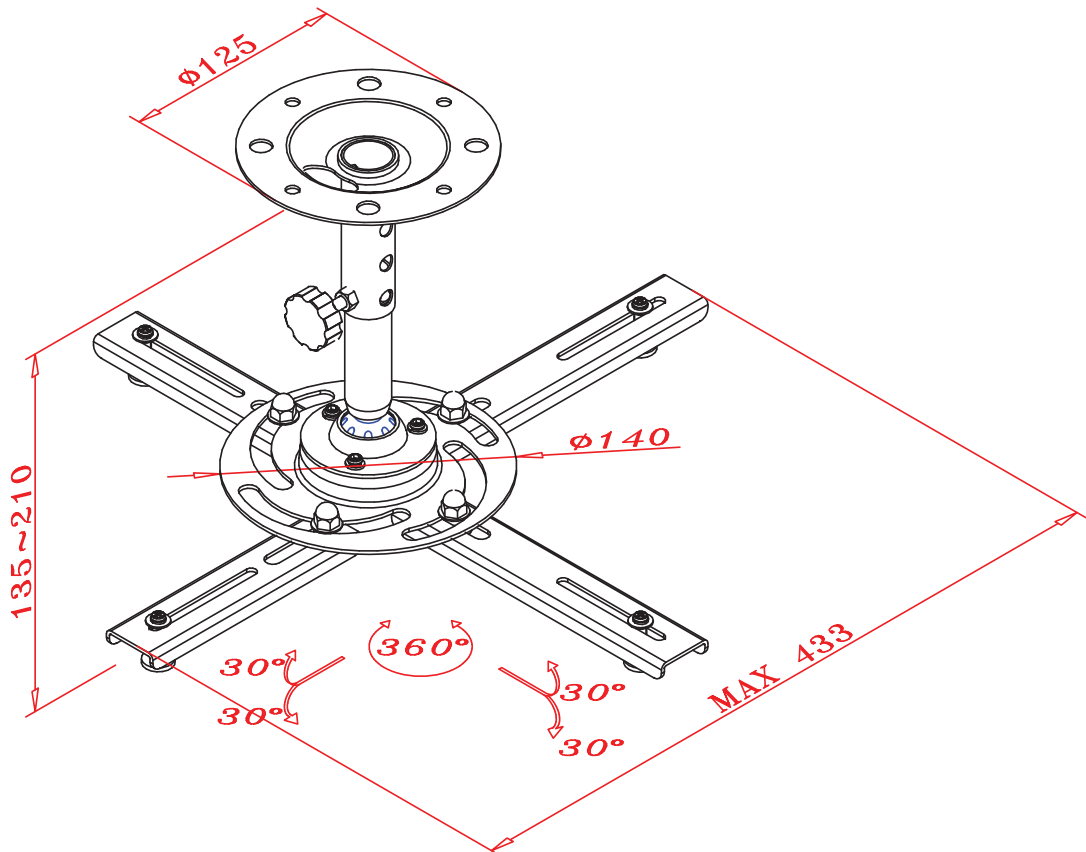
PART NUMBER: H 8130A, H 8131A, H 8132A



Overview:

Designed to suit a majority of projector models on the market today. This all steel ball mount bracket allows up to 30° of adjustment either vertically or horizontally which is more than enough for most installations! The projector mounting surface sits 2115mm from the ceiling and may be removed from the upper bracket for adjusting the projector settings if required. Two sets of mounting arms are provided (140mm & 180mm) and may be adjusted on the base plate as desired.

Diagram:



Specification Sheet

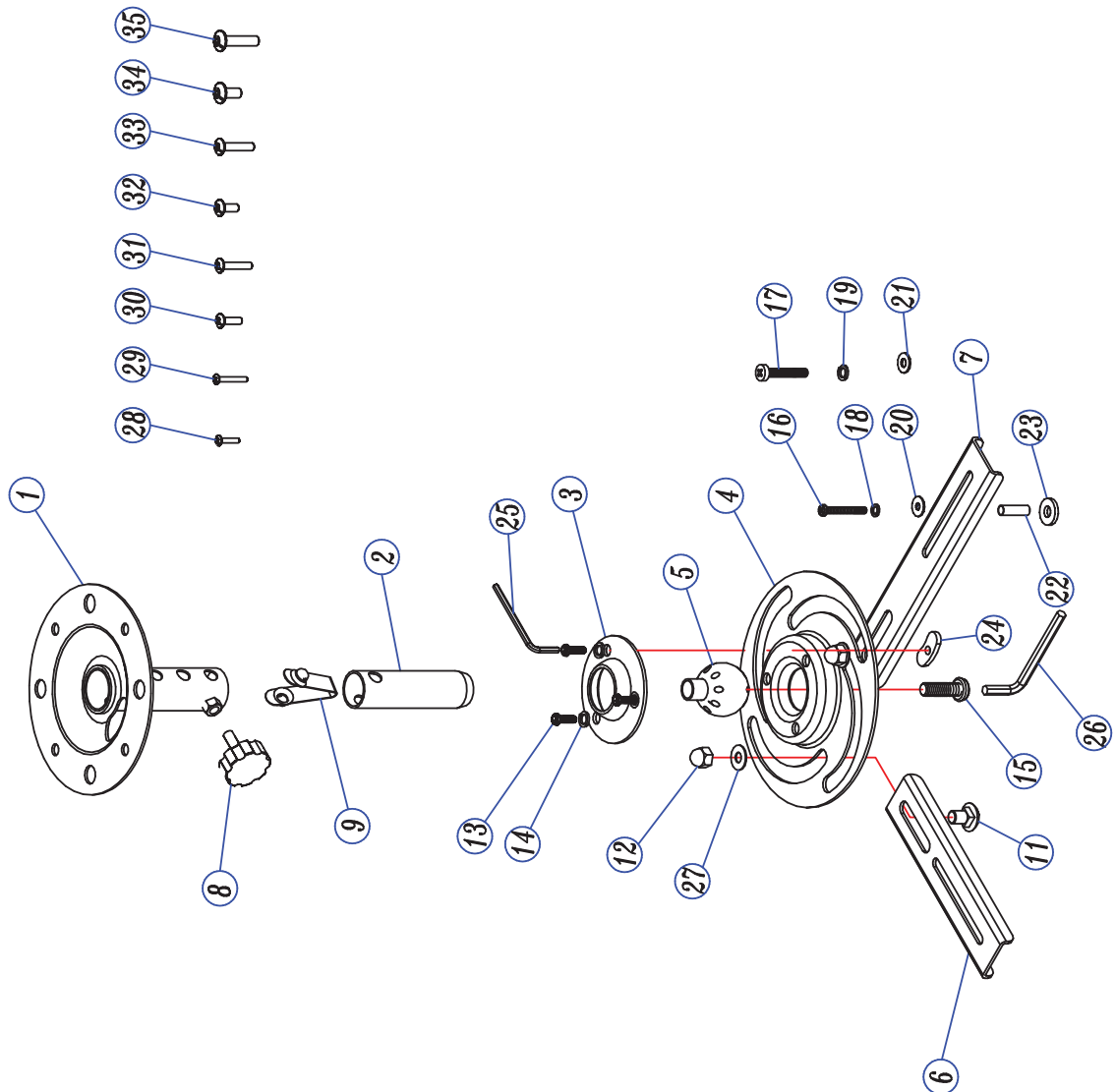
Revision Date 19/11/2007

DESCRIPTION: PROJECTOR BRACKETS

PART NUMBER: H 8130A, H 8131A, H 8132A

Assembly:

1	CEILING MOUNTING BRACKET	1
2	EXTENSION TUBE	1
3	FIXING PLATE	1
4	PLATFORM BASE	1
5	PLASTIC BALL	1
6	ADJUSTING PLATE 140MM	4
7	ADJUSTING PLATE 180MM	3
8	ADJUSTING SCREW M6	1
9	SPRING DOWEL	1
11	SCREW 5/16" - 18UNC*L1/2"	4
12	NUT 5/16"	4
13	SCREW M6*P1.0*L16mm	3
14	SPRING WASHER M6	3
15	SCREW M8*P1.25*L40mm	1
16	SCREW M4*P0.7*L36mm	4
17	SCREW M5*P0.8*L35mm	4
18	SPRING WASHER M4	4
19	SPRING WASHER M5	4
20	STEEL WASHER $\phi 4.2 \times \phi 10 \times T0.8$	4
21	STEEL WASHER $\phi 5.2 \times \phi 12 \times T1.0$	4
22	ALUMINUM PIPE $\phi 9.5 \times L20MM$	4
23	PLASTIC WASHER $\phi 1/4" \times \phi 15 \times T2.5$	4
24	NUT M6*P1.0	3
25	ALLEN KEY M4	1
26	ALLEN KEY M5	1
27	WASHER $\phi 5/16" \times \phi 16 \times T1.6$	4
28	SCREW M3*P0.5*L15mm	4
29	SCREW M3*P0.5*L30mm	4
30	SCREW M4*P0.7*L15mm	4
31	SCREW M4*P0.7*L30mm	4
32	SCREW M5*P0.8*L15mm	4
33	SCREW M5*P0.8*L30mm	4
34	SCREW M6*P1.0*L16mm	4
35	SCREW M6*P1.0*L30mm	4



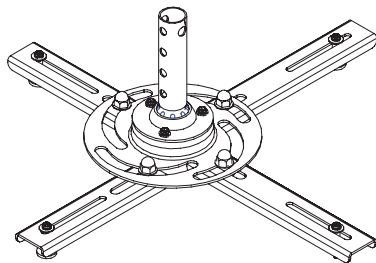
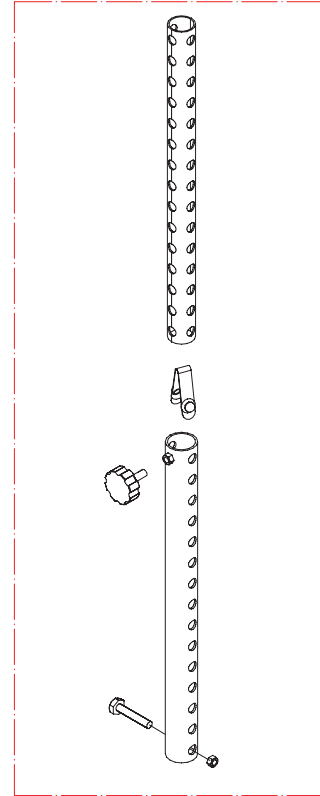
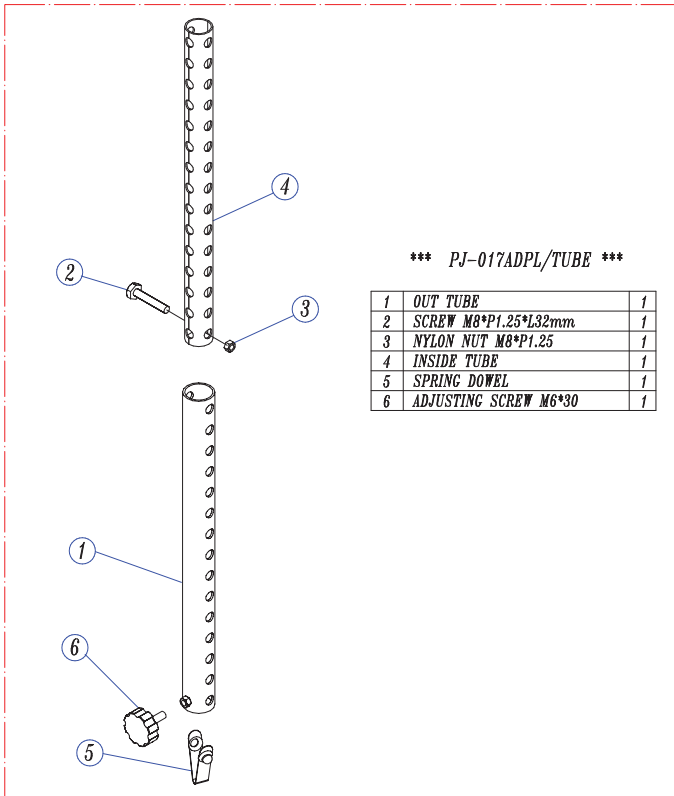
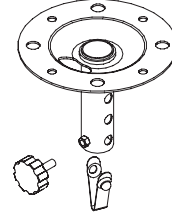
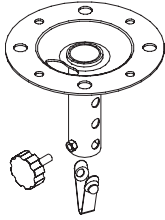
Specification Sheet

Revision Date 19/11/2007

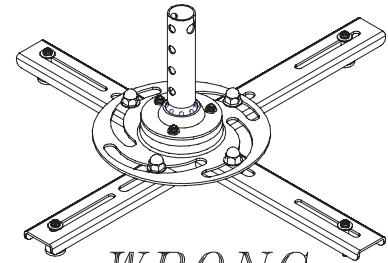
DESCRIPTION: PROJECTOR BRACKET EXTENSIONS

PART NUMBER: H 8133, H 8135, H 8136

Assembly:



RIGHT



WRONG