

The IEC Dynamics Cart

Non Firing



MF0945-001 Dynamics Carts (pair)

The IEC 'Dynamics Carts' have the following special features:

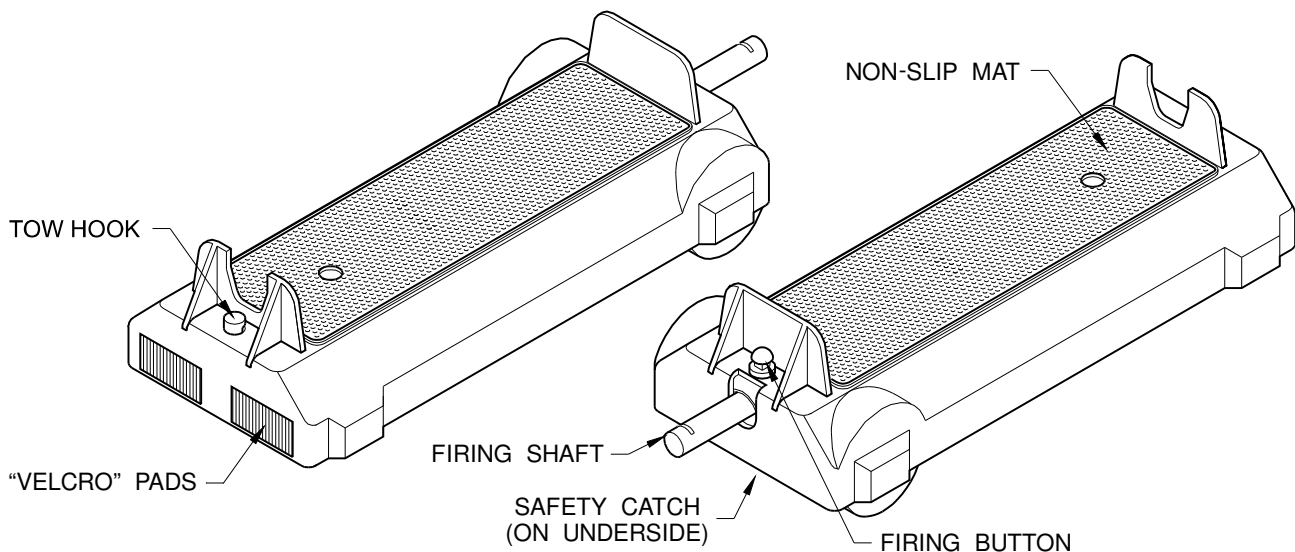
- Very low friction wheels, wide apart for better stability
- Inboard wheels that cannot catch around cords and tangle
- High Quality precise manufacture. Unit runs in a straight line
- Accurate total mass of 450g per cart
- Low mass ball bearing wheels for low rotating mass
- Unbreakable and easily supports a person's weight
- Pimple pattern gripping vinyl surface platform
- Tow point provided for towing Carts with elastic bands
- Fully stackable to double or triple mass or for storage
- Fitted with 'Velcro' bumpers for non-elastic collisions
- Very attractive sleek and fun styling
- All spare parts stocked by IEC at all times

DIMENSIONS	OVERALL	PLATFORM
Length	307 mm	255 mm
Width	132 mm	80 mm
Height	90 mm	58 mm
Weight: 450 gms (each cart)		

Instructions:

The DYNAMICS CART can be loaded with bricks or other weights to change its mass or two or three carts can be stacked. It can be towed along with cords or with rubber bands to simulate constant forces being applied to the cart. Experiments in impulse, momentum, velocity, acceleration, friction, energy and work can be performed. 'Velcro' pads permit two carts to lock together after collision. Can be used with the IEC Recording Timer for recording motion.

The image below shows some of the features of the IEC 'Dynamics Carts' model with firing mechanism. Carts are available with or without the firing mechanism..



Kit Contents:

- 2 pcs Dynamics Carts fully assembled and ready to use.
- 1 pce Pack of rubber bands for towing the Dynamics Carts.
- 1 pce Instruction Sheet

Experiments involving the use of Dynamics Carts can be found in various student notes and Science text books.

NOTE:

This IEC cart design has been copied in China so closely that they are almost indistinguishable from the original – even down to the label colours and text fonts. If you ever need to check that you have bought the originals, look for the IEC hexagon on the underside, note the faultless assembly, notice almost zero twist in the housing and very free-running wheels. The copy product will have none of these features.

Designed and manufactured in Australia

INDUSTRIAL EQUIPMENT & CONTROL PTY.LTD.

61-65 McClure St. Thornbury. 3071 Melbourne. Australia
 Tel: 61 (0)3 9497 2555 Fax: 61 (0)3 9497 2166 www.iecpl.com.au