

Datasheet

Smart IoT Box

WI-IOTBOXMINI | WI-IOTBOX01 | WI-IOTBOX02 | WI-IOTBOX03

New Upgrade: Added microswitch accessories!

More secure lock cartridge and key!

Suitable for waterproof connectors of Ethernet cables!

Additional bottom holes are available for air duct!



Overview

Wi-Tek's Smart IoT Box is an all-weather outdoor electrical equipment protection box designed for outdoor use in the outdoor environment. It has waterproof, dustproof, heat dissipation, anti-ultraviolet, anti-theft, anti-rust, acid and alkali corrosion, anti-electromagnetic interference (anti-lightning EMP), modular structure design in the box, electrical equipment can be installed vertically or horizontally according to the situation.

Fit outdoor CCTV, WLAN, Wi-Fi Coverage, Industrial IoT Application requirements with Wi-Tek industrial switch, 4G LTE router, outdoor wireless transmitter, solar powered PoE switch, IoT M2M gateway, and mesh AP, greatly decrease your project deployment cost by flexible modular installation.

Features

IP65 Ingress Protection

Outstanding dustproof and waterproof design protects the equipment inside the box in the outdoor.

Rugged construction, IK10 Inverse Kinematics

A seamless welding box body can withstand huge external forces without deformation.

Advanced Outdoor Protection

Made of aluminum alloy or 304 stainless steel connecting mounting parts, Electrostatic powder spraying main body, can anti-aging, gas corrosion resistance, UV damage resistance, acid and alkali corrosion resistance, salt spray moisture resistance.

Modular Installation

The modular structure design, top cover, side panel, DIN-rail, mounting plate, waterproof connector, fan, and microswitch are all detachable.

Heat Dissipation

The fan on the top and the cable and ventilation holes on the bottom form a bottom-up air duct to help heat dissipation.

Microswitch for Flexible Application

The door microswitch can be connected to the power supply, to the cloud alarm via I/O, or to the buzzer alarm.



Specifications

| | |
|-----------------------------------------|--------------------------------------------------------------------------------------------------------|
| Products | WI-IOTBOXMINI |
| Hardware Version | V1 |
| Hardware Features | |
| Overall Dimensions (W*H*D) | 300*300*206.5mm |
| Inner Dimensions (W*H*D) | 250*250*180mm |
| Weight(kg) | 5.5 |
| Package Dimensions (W*H*D) | 360*360*230mm |
| Package Weight(kg) | 7.7 |
| Thickness | 1.2mm |
| Material | SUS430 Stainless Steel |
| Color | Light Grey + Grey |
| Surface Treatment | Electrostatic Spraying |
| Installation | Pole/Wall/Floor mounted |
| Door | 1 |
| Lock Hole | 1 |
| Detachable Side Plate | 2 (1 on each side panel) |
| M25 Waterproof Connector | 2 (1 on each side inner panel) |
| Aluminum Alloy Chute | 2 (on the rear panel) |
| Bottom Cable Entry | 1 (at the bottom) |
| Air Intake Holes/ Water Outlet Holes | 4 (at the bottom, with rubber plugs) |
| Microswitch | 1 (on the upper right inside) |
| Fan | 1 (on the top inner panel) |
| Protection | IP65, IK10 |
| Application | |
| Application | Junction, Distribution, Electrical, Battery, Control, Monitoring etc. Outdoor waterproof Enclosure Box |



Specifications

| Products | WI-IOTBOX01 | WI-IOTBOX02 | WI-IOTBOX03 |
|-----------------------------------------|--------------------------------------------------------------------------------------------------------|-----------------|-----------------|
| Hardware Version | V2 | V2 | V2 |
| Hardware Features | | | |
| Overall Dimensions (W*H*D) | 300*400*206.5mm | 400*600*256.5mm | 500*720*286.5mm |
| Inner Dimensions (W*H*D) | 250*350*180mm | 350*560*230mm | 450*650*260mm |
| Weight(kg) | 7.2 | 12.6 | 17.1 |
| Package Dimensions (W*H*D) | 360*460*230mm | 460*670*290mm | 560*760*330cm |
| Package Weight(kg) | 9.4 | 15.1 | 21.2 |
| Thickness | 1.2mm | | |
| Material | SUS430 Stainless Steel | | |
| Color | Light Grey + Grey | | |
| Surface Treatment | Electrostatic Spraying | | |
| Installation | Pole/Wall/Floor mounted | | |
| Door | 1 | | |
| Lock Hole | 1 | 1 | 2 |
| Detachable Side Plate | 4 (2 on each side panel) | | |
| M25 Waterproof Connector | 4 (2 on each side inner panel) | | |
| Aluminum Alloy Chute | 2 (on the rear panel) | | |
| Bottom Cable Entry | 1 (at the bottom) | | |
| Air Intake Holes/ Water Outlet Holes | 4 (at the bottom, with rubber plugs) | | |
| Microswitch | 1 (on the upper right inside) | | |
| Fan | 1 (on the top inner panel) | | |
| Protection | IP65, IK10 | | |
| Application | | | |
| Application | Junction, Distribution, Electrical, Battery, Control, Monitoring etc. Outdoor waterproof Enclosure Box | | |

Accessory Specifications

Products

Fan

| | |
|-----------------------|-----------------------------------|
| Input Voltage | 12V DC (7~13.2V DC) |
| Input Current | 0.24A |
| Power consumption | <3.36W |
| Speed | 3800 R.P.M ± 10% |
| Air Flow | 112.77 m3/h @Zero Static Pressure |
| Acoustical Noise | 43dB-A (MAX. 46dB-A) |
| Dimensions | 92*92*25.4mm ±0.5mm |
| Operation temperature | -10°C ~70°C |

Miniature Circuit Breaker

| | |
|---------------------------------------|------------------|
| Model | CHNT NXB-63 |
| Number of Poles | 2P |
| Rated Current | 63A |
| Rated Voltage | 400V~ |
| Thermal Magnetic Release | C |
| Mechanical Life | 20,000 cycles |
| Electrical Life | 10,000 cycles |
| Short-circuit Breaking Capacity (Icn) | 6000A |
| Dimensions (W*H*D) | 36*81*77.8mm |
| Installation | DIN-rail mounted |

Microswitch

| | |
|-----------------|------------------------------------------------|
| Model | Omron V156-1C25 |
| PIN | NC, NO, COM; NC and COM have connected cables. |
| Rated Current | 15A |
| Rated Voltage | 250V |
| Mechanical Life | 15,000,000 cycles |

Thermostat (optional)

| | |
|-------------------------------|------------------------------------------------------------------------------------------------------------------------------------------------------------------------------------------------------------------------------------------|
| Function | Red Thermostat: normally close, disconnect the circuit when the set temperature is reached, usually used for heating. Blue Thermostat: normally open, connect the circuit when the set temperature is reached, usually used for fans. |
| Setting Temperature Range | 0~60°C |
| Switch Temperature Difference | 7K (±4K tolerance) |
| Service Life | 100000 cycles |
| Max capacity | 250V AC, 10(2)A; 120V AC, 15(2)A; DC 30W |
| Connection | 2-pole, 2.5mm ² max. wire |
| Dimensions (W*H*D) | 36*81*77.8mm |
| Weight | 40g |
| Installation | DIN-rail mounted |
| Operation Temperature | -20°C ~80°C |

Products

Heater (Optional)

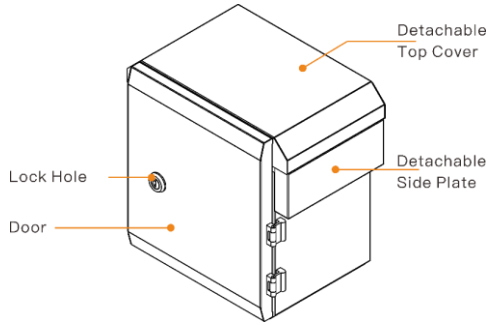
| | |
|-----------------------|-------------------------------------------------------------------------------------------------------------------------------------|
| Heater Capacity | 45W |
| Input Voltage | 120V~240V AC/DC (110V min. 265V max.) *The heating performance will be reduced by 10% when operating voltage is lower than 140V. |
| Input Current | 3.5A max |
| Heating Element | PTC resistor |
| Material | Aluminum |
| Connector | 3*press clamps, fit 0.5~1.5mm ² standard wire and 0.5~2.5mm ² rigid wire |
| Dimensions | 70*110*60mm |
| Weight | 0.3kg |
| Installation | DIN-rail mounted |
| Operation temperature | -45°C ~70°C |



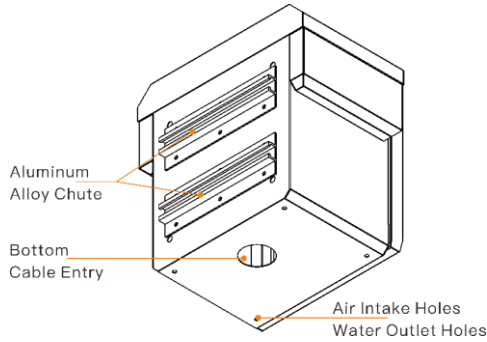
Appearances and Dimensions

WI-IOTBOXMINI

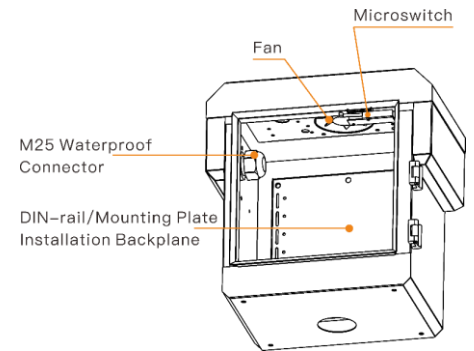
Front Overview



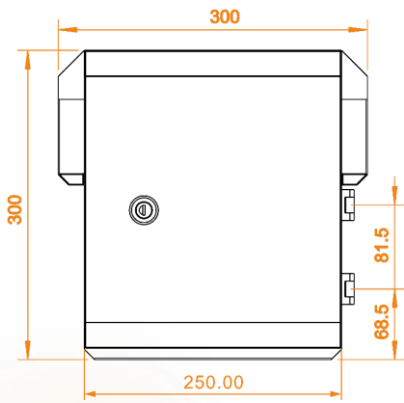
Rear Overview



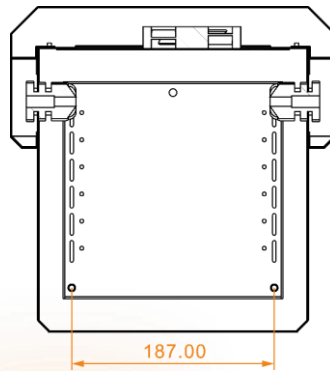
Inner Overview



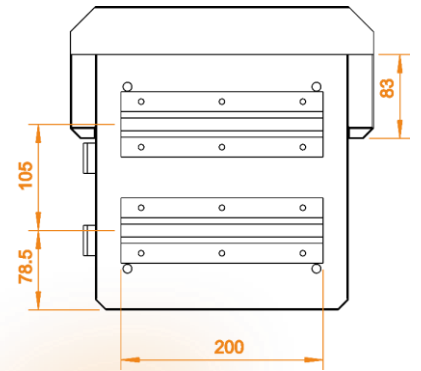
Front



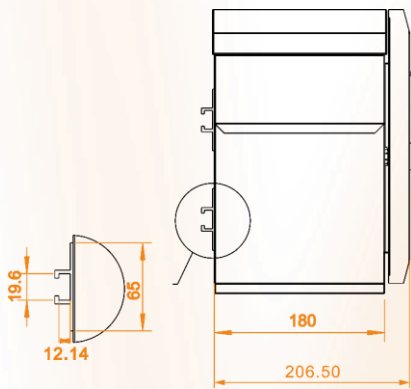
Inner Front



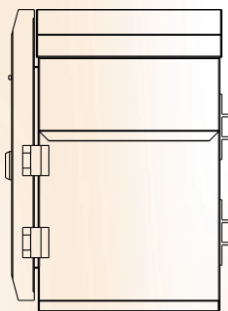
Rear



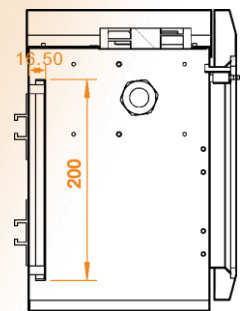
Left Side



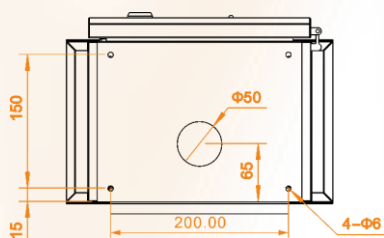
Right Side



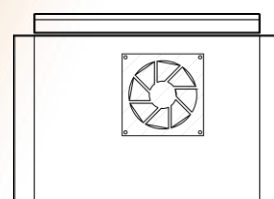
Inner Side



Bottom

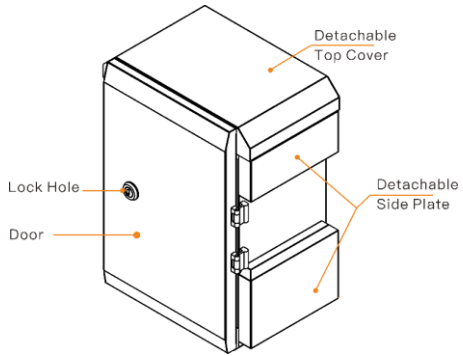


Inner Top

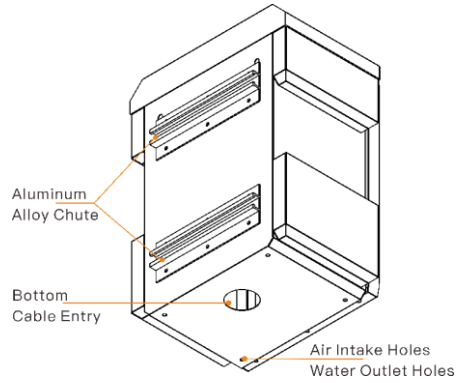


WI-IOTBOX01

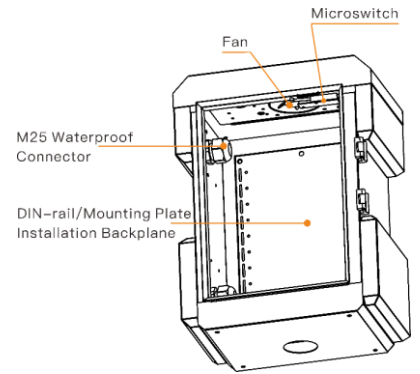
Front Overview



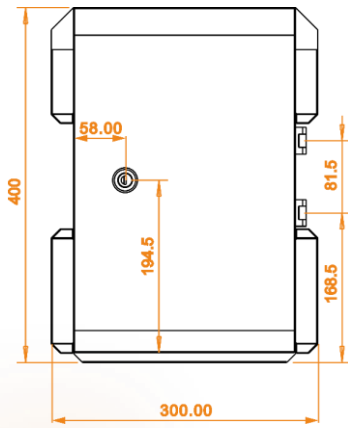
Rear Overview



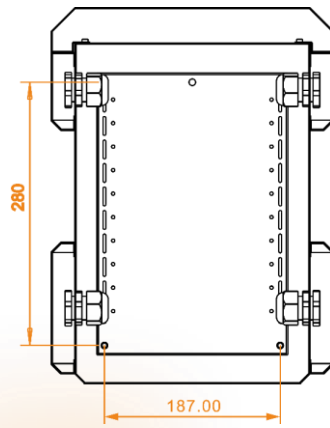
Inner Overview



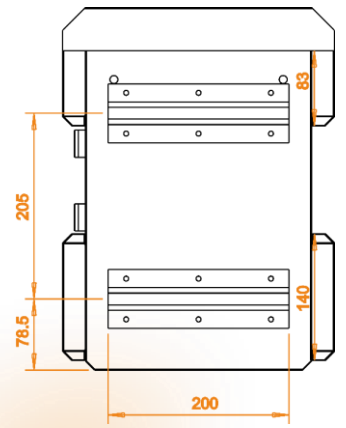
Front



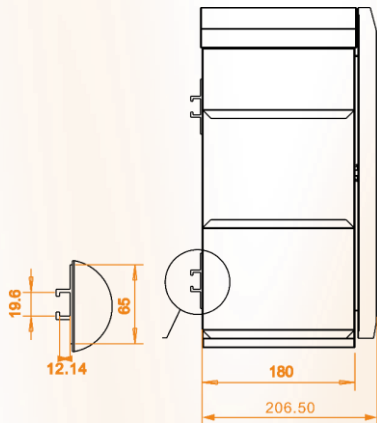
Inner Front



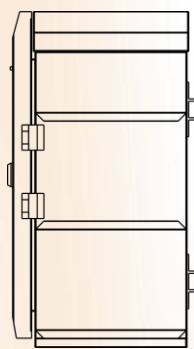
Rear



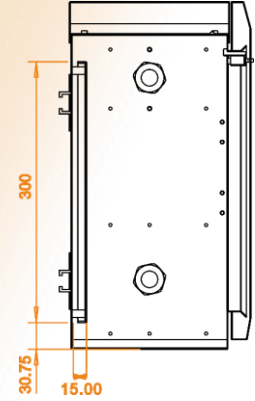
Left Side



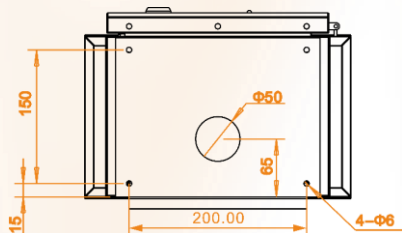
Right Side



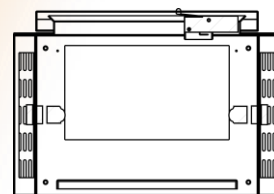
Inner Side



Bottom

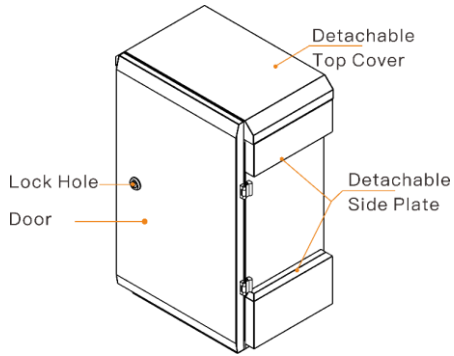


Inner Top

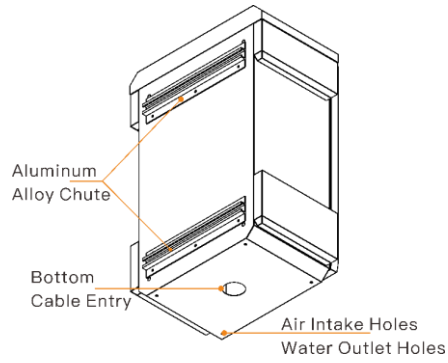


WI-IOTBOX02

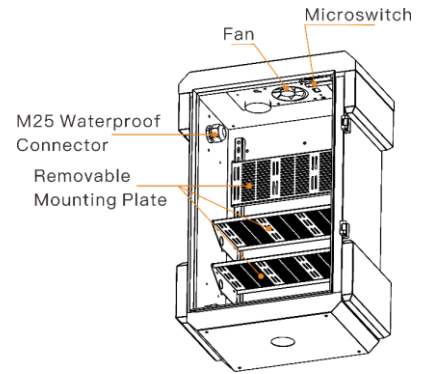
Front Overview



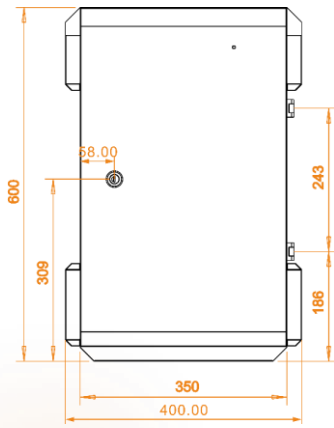
Rear Overview



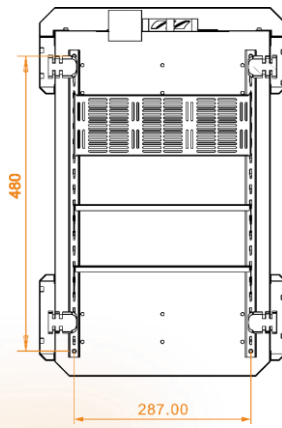
Inner Overview



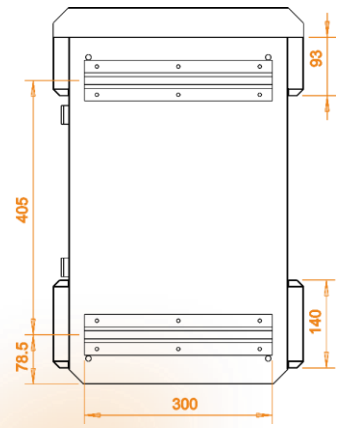
Front



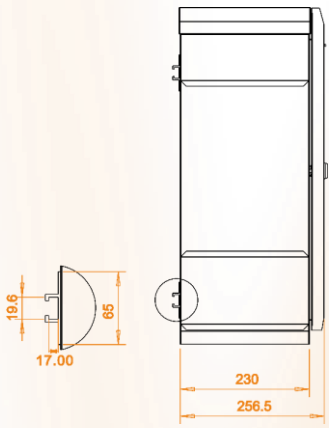
Inner Front



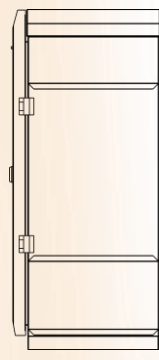
Rear



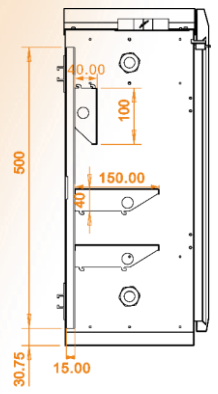
Left Side



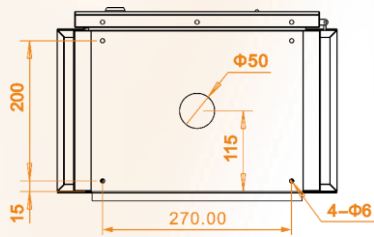
Right Side



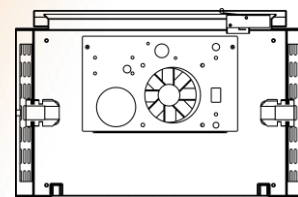
Inner Side



Bottom

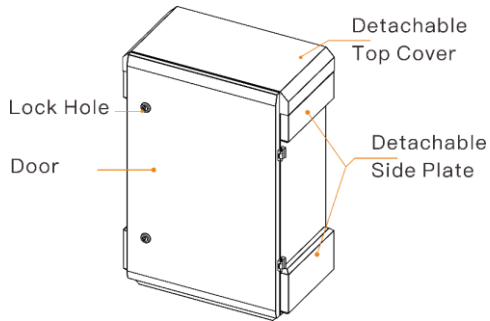


Inner Top

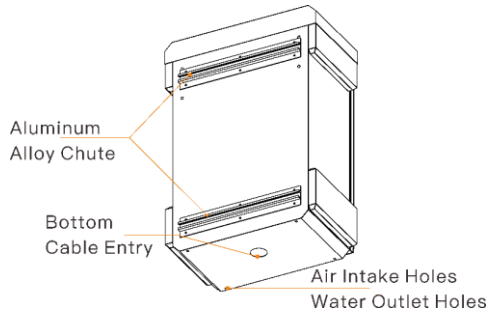


WI-IOTBOX03

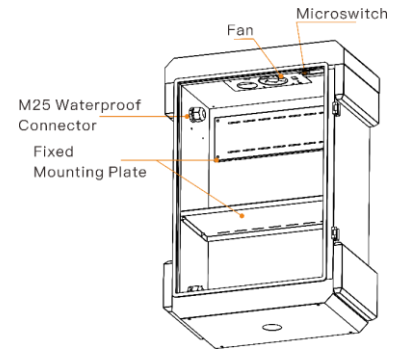
Front Overview



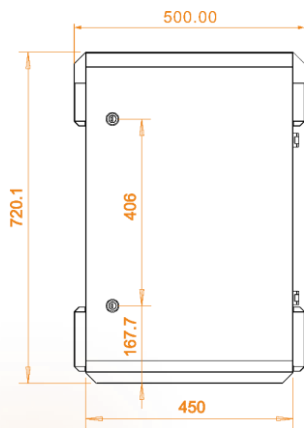
Rear Overview



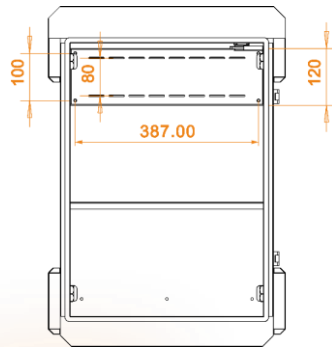
Inner Overview



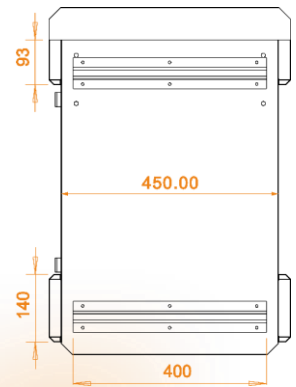
Front



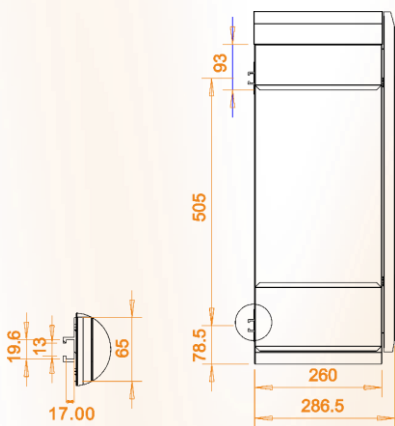
Inner Front



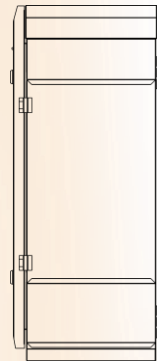
Rear



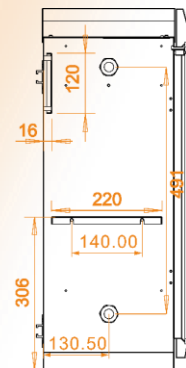
Left Side



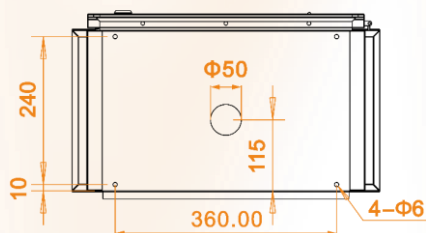
Right Side



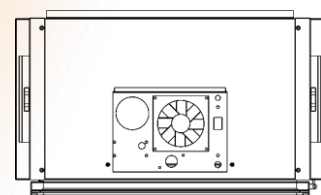
Inner Side



Bottom



Inner Top



Package Content

Welcome to order our products. After purchasing, you will receive:

| Item | WI-IOTBOXMINI | WI-IOTBOX01 | WI-IOTBOX02 | WI-IOTBOX03 |
|-------------------------------------|---------------------------------------------------------------------------------------------|-------------|-------------------|---------------|
| BOX | 1 pc | | | |
| Quick Installation Guide | 1 pcs | | | |
| Waterproof Connector | 2 pcs | 4 pcs | 4 pcs | 4 pcs |
| Key | 2 pcs | | | |
| Microswitch | 1 pcs | | | |
| Miniature Circuit Breaker | 1 pcs | | | |
| Grounding Connector | 1 pcs | | | |
| DIN-rail | 1 pcs | 2 pcs | 2 pcs | 2 pcs |
| Wall Mounting Accessories | 2*Hanging Pieces (Small), 2*Hanging Pieces (Large), 4*Expansion screws, 4*Hex screws | | | |
| Pole Mounting Accessories | 2*1.2m Stainless Steel Cable Ties (50–350mm in diameter), 2*Stainless Steel Universal Clips | | | |
| Mounting Plate | N/A | N/A | 3 pcs (Removable) | 2 pcs (Fixed) |
| Option Accessory | | | | |
| Thermostat | Switches of fans or other devices according to the temperature. | | | |
| Heater | Heat the inside of the BOX to keep the device working at a proper temperature and humidity. | | | |
| Mounting Plate (For WI-IOTBOX01) | Installed inside the box for placing devices. Dimensions(W*H*D): 188.5*40*100mm | | | |



Wireless-Tek Technology Limited

Address: Building 3, Units 1801–1807, 1812, Huaqiang Era Plaza,
Tangwei Community, Fuhai Street, Bao'an District, Shenzhen City,
Guangdong Province, China.

Website: www.wireless-tek.com

Tel: 86-0755-32811290

Email: sales@wireless-tek.com

Technical Support: tech@wireless-tek.com



Technical Support



Cloud Management



Company Website