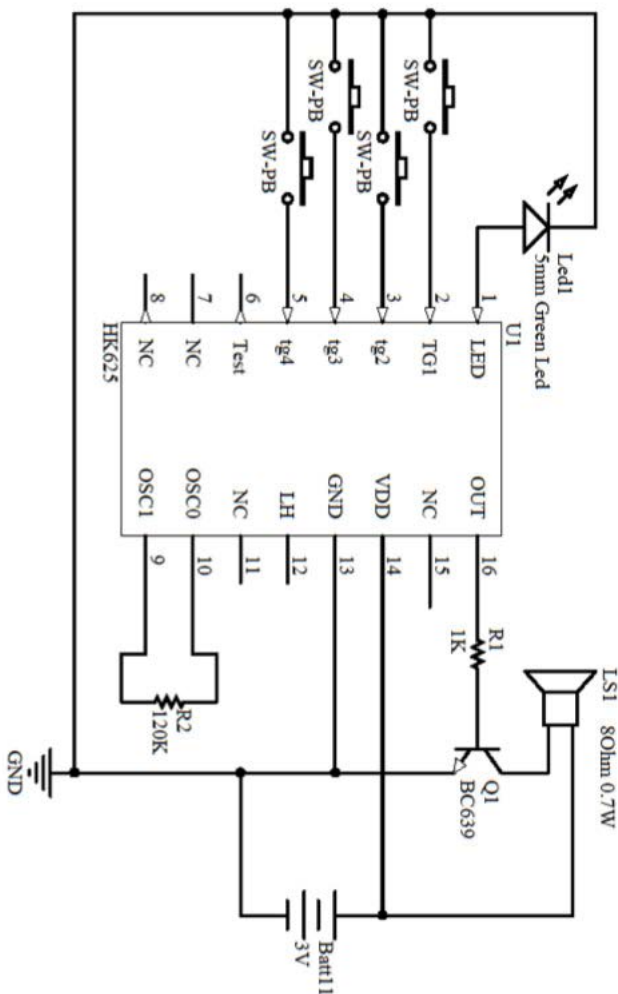
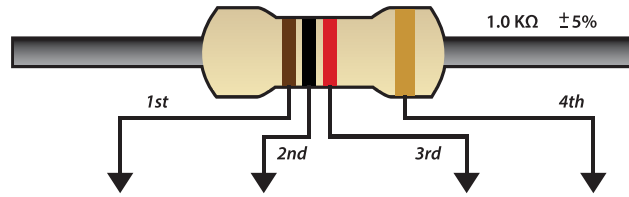




## Schematic Diagram



## RESISTOR COLOUR CODE GUIDE



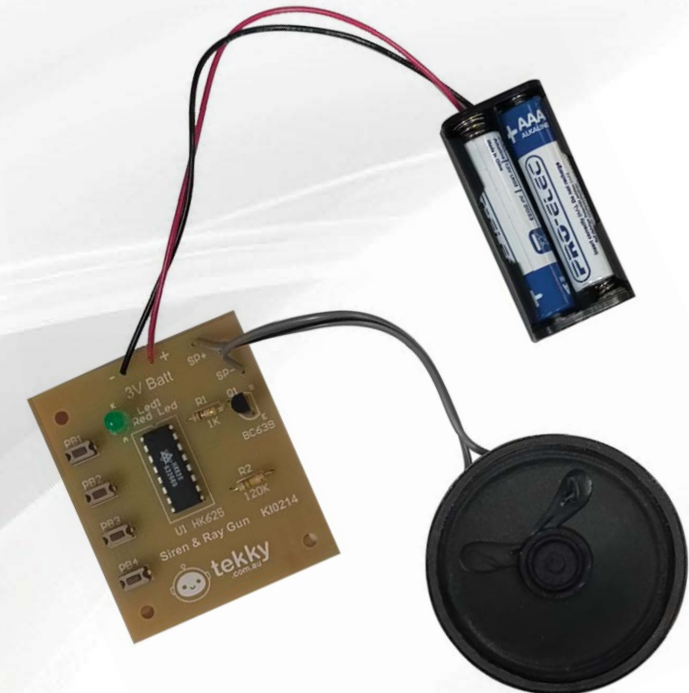
Colour	1st Band	2nd Band	Decimal Multiplier		Tolerance
Black	0	0	1	1	
Brown	1	1	10	10	± 1%
Red	2	2	100	100	± 2%
Orange	3	3	1K	1000	
Yellow	4	4	10K	10,000	
Green	5	5	100K	100,000	
Blue	6	6	1M	1,000,000	
Violet	7	7	10M	10,000,000	
Grey	8	8	100M	100,000,000	
White	9	9	1000M	1,000,000,000	
Gold				0.1	± 5%
Silver				0.01	± 10%
None					± 20%

## More Kits In The Range

- KI0205 Ding Dong Door Chime Kit
- KI0236 Wailing Siren Kit
- KI0208 Light Alarm Kit
- KI0211 Moisture Sensor Kit
- KI0213 Electronic Dice Kit
- KI0231 9V DC Siren Kit

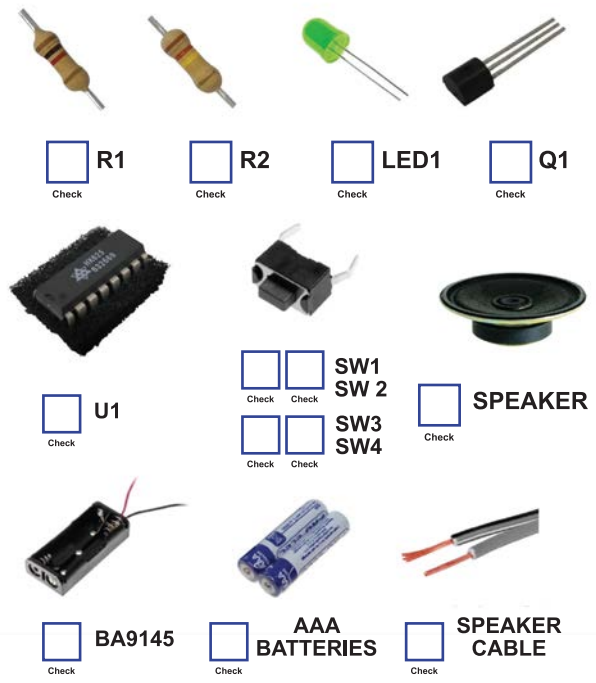
# 3 Siren and Ray Gun Kit

Tekky Kit

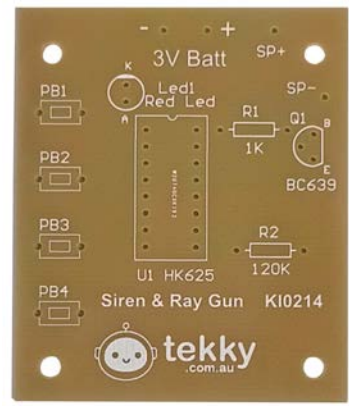


### Component List

Designator	Part Description	Part No.
LED1	5mm Green LED	
R1	1K Resistor (Brown, Black, Red)	RS1485
R2	120K Resistor (Brown, Red, Yellow)	RS1735
U1	HK625 IC	
SW1, SW2	Tact Push Switch	SW0518
SW3, SW4	Tact Push Switch	SW0518
Q1	BC639	
SP +/-	Speaker 8 Ohm	SP1203
3V BATT	2X AAA Battery Holder	BA9145
AAA X2	AAA Batteries x 2	
CB1	Speaker Cable 100mm	CB0102



The HK625 Integrated Circuit can produce 4 sound effects, fire, police and ambulance siren as well as raygun fire. This is accomplished by pressing the appropriate PB switch on the circuit board. When a sound is activated an LED also flashes. The audio output from the integrated circuit is amplified by the BC639 transistor circuit to provide sufficient volume at the speaker. The kit is powered from a 3V 2AA battery pack.



### Sound Effects

Sound	Press Switch
Ambulance	PB1
Fire	PB2
Police	PB3
RayGun	PB4

Simply Pressing the relevant switch will enable the sound

### ASSEMBLING THE KIT

The parts can be assembled onto the circuit board in any order with care taken when soldering so that any solder bridges do not occur between solder pads.

Make sure that HK625 integrated circuit, BC639 transistor, Red Led1 and Battery wires are inserted and soldered in the correct polarity as shown on the overlay on the KI0214 circuit board. Connect the 57mm speaker to SP +/- terminals using the 100mm CB1 wire (polarity is not critical)

The kit operates satisfactorily on 3 Volt, you can achieve greater volume by using a slightly higher Voltage but don't exceed 4.8V because the HK625 will be damaged and the kit will be rendered inoperable. (See specs below)



### HK625 Specifications

Parameter	MIN.	Type	MAX.	Unit	Conditions
Supply Voltage	1.8	3	4.8	V	