

# Bluetooth Module



# Bluetooth Module



## Component List

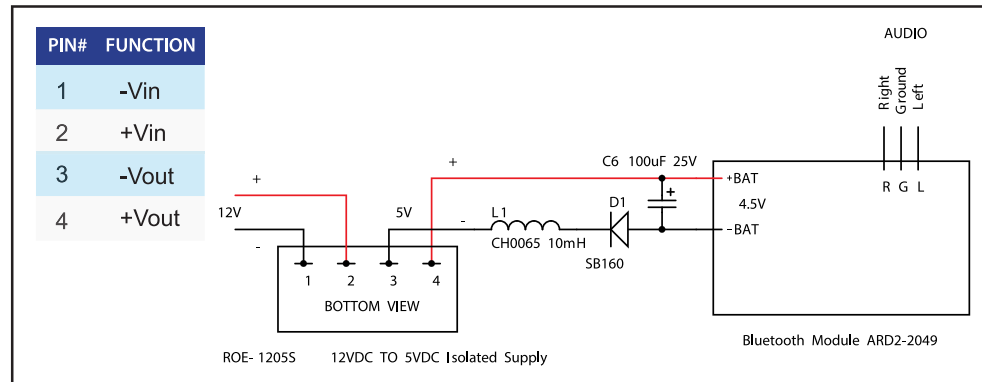
Designator	Part Description	Part No.
	Bluetooth Module	ARD2-2049
	Isolated 12VDC to 5VDC Regulator	ROE-1205S
	10mH RF Choke	CH0065
D1	1A Schottky Diode	SB160
C6	100uF 25V	CC1445



## Circuit Description

The optional ARD2-2049 Bluetooth Module is powered by 5VDC power via the 12VDC to 5VDC isolated converter and along with the Choke, Filter Capacitor and Schottky Diode eliminates any noise or hum being injected into Power Amplifier.

## Circuit Diagram



## Component List

Designator	Part Description	Part No.
	Bluetooth Module	ARD2-2049
	Isolated 12VDC to 5VDC Regulator	ROE-1205S
	10mH RF Choke	CH0065
D1	1A Schottky Diode	SB160
C6	100uF 25V	CC1445



## Circuit Description

The optional ARD2-2049 Bluetooth Module is powered by 5VDC power via the 12VDC to 5VDC isolated converter and along with the Choke, Filter Capacitor and Schottky Diode eliminates any noise or hum being injected into Power Amplifier.

## Circuit Diagram

