



Operating Manual

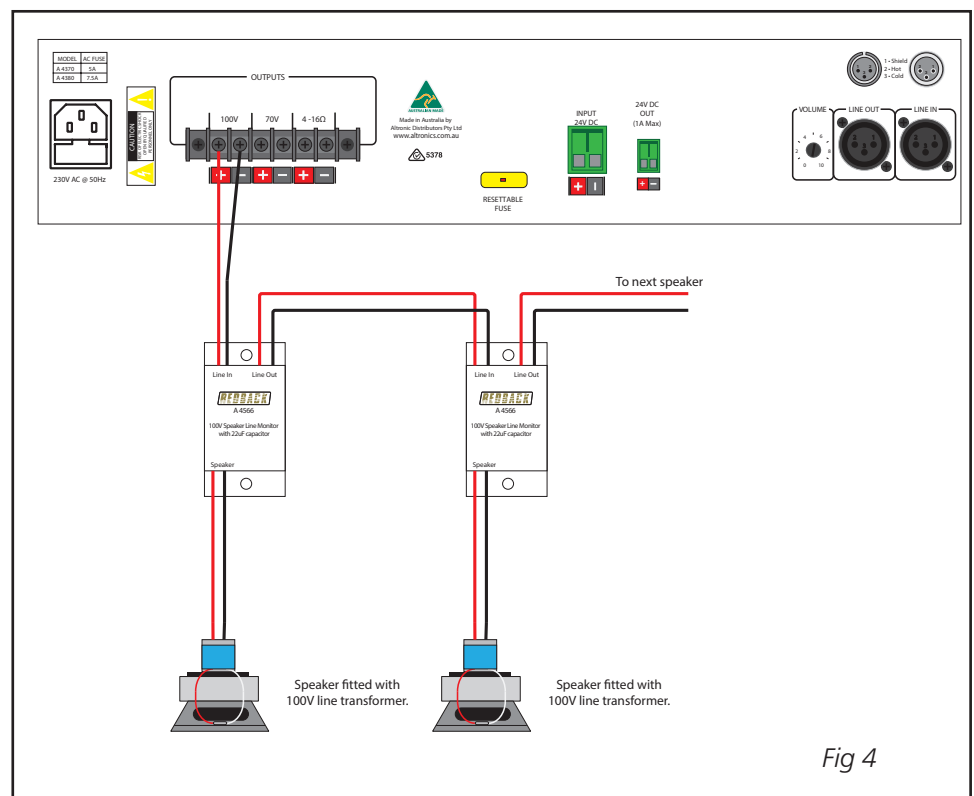
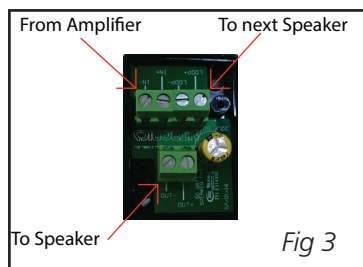
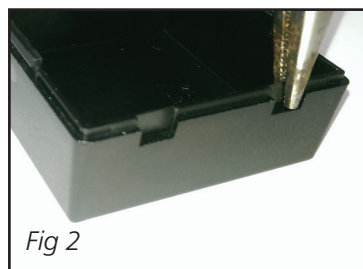
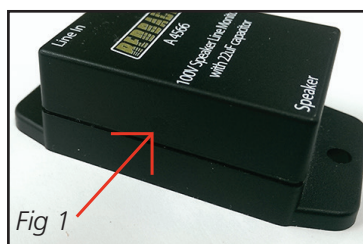
A 4566 100V Speaker Line Isolator

OVERVIEW

A simple in-line connection box fitted with a line monitoring capacitor. Since many 100V speakers do not have 22 μ F capacitors fitted, this box allows you to easily add it into the circuit for connection to a line monitoring system. Ideal for retrofitting to existing speakers with screw terminal connections.

INSTALLATION

- Remove the top of the box by squeezing the sides together at the positions marked with dots as shown in Fig 1.
- Break off the tabs for the cable access with a pair of needle nose pliers as shown in fig 2.
- Connect cables to the screw terminals as shown in Figures 3 and 4. The "Line In" terminals connect to the output of the amplifier. The "Line Out" terminals connect back to the speaker line. The "Speaker" terminals connect to the 100V line speaker.
- Feed the cables out of the removed tabs and replace the lid.



TROUBLESHOOTING

No output : Check connections to ensure they are secure.

Distributed by Altronic Distributors Pty. Ltd.
Phone: 1300 780 999 Fax: 1300 790 999 Internet: www.altronics.com.au

User manual revision number: 1.0 09/05/2016