



Operating Manual

OVERVIEW

The Redback A 4116 stereo amplifier is super compact and ideally suited to smaller PA system installations. Designed around the ST TDA7492 IC it offers virtual “destruction proof” operation even under sever misuse such as over voltage, over temperature, over load and short circuit speaker line conditions. The unit will automatically shut down when overloaded and will restore to normal operation when the fault condition is removed. The A 4116 can be used as a stand alone/ bench mount amplifier or can be rack mounted when used in conjunction with optional hardware (H 4990).

FEATURES

- 15W RMS Output into an 8Ω load
- 1 Stereo RCA input
- 1 Music input (3.5mm)
- 1 Line/Sub output
- 4-16Ω output
- 24V DC operation

CONNECTIONS

Figure 1: Front Panel Layout

- 1) 3.5mm Input
- 2) Treble Control
- 3) Bass Control
- 4) Volume Control
- 5) Fault Indicator
- 6) Power Indicator
- 7) Power Switch

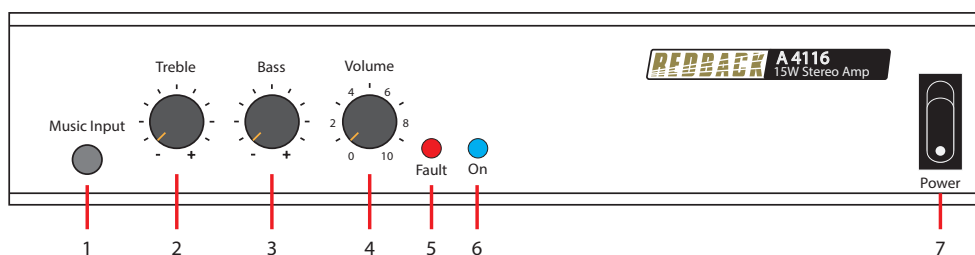
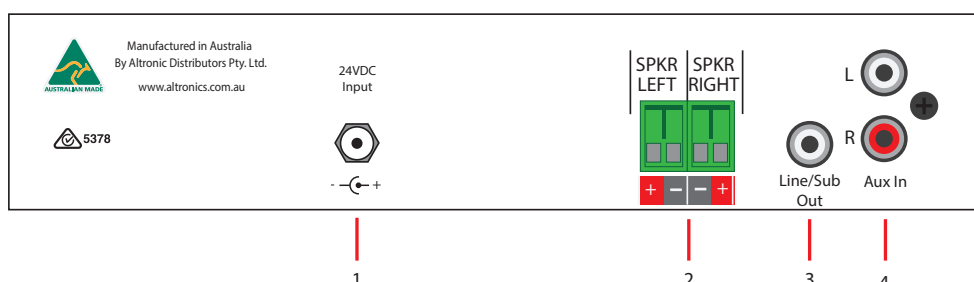


Figure 2: Rear Panel Layout

- 1) 24V DC Power Input
- 2) Speaker Connection
- 3) Line/Sub output
- 4) Auxilliary Input

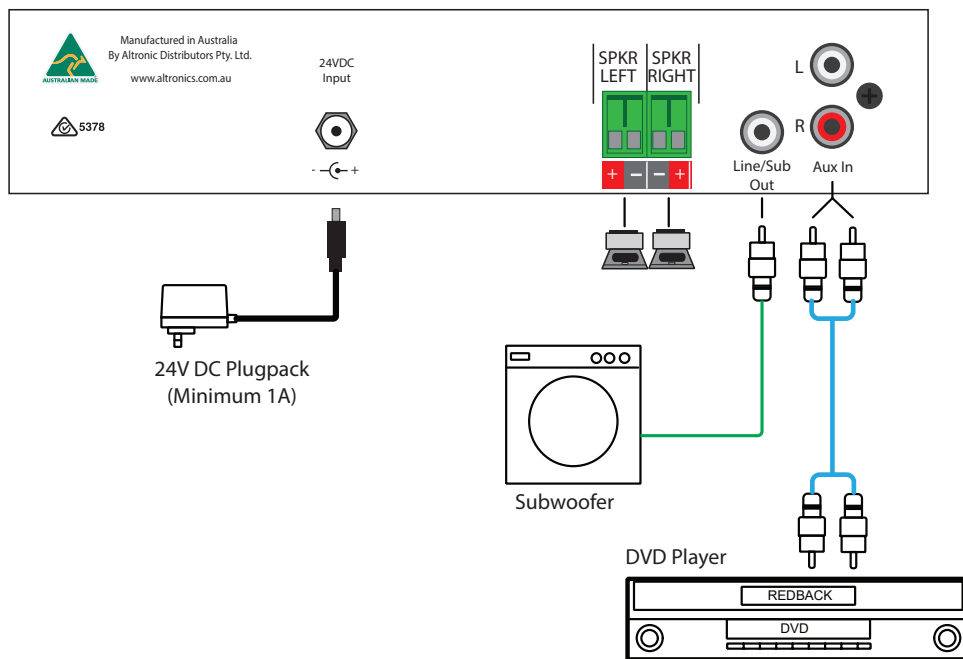


Redback® A 4116 15W Stereo Amplifier

Figure 3: Connection Diagram

The figure below illustrates a typical installation.

Note: The Aux input will be disconnected when a source is connected to the 3.5mm music input on the front panel.



TROUBLE SHOOTING

DISTORTED OUTPUT

Check that the speaker type is correct for the output that you are using. Check for any short circuits on the speaker line.

VERY LOW OUTPUT

Make sure that the input is the correct level (check for shorted connectors). Check for any short circuits on the speaker line.

AMPLIFIER KEEPS ON CUTTING IN & OUT

Check speaker types, ratings and for any short circuits on the speaker line.

SPECIFICATIONS

Power Output:15 watts RMS into 8 Ω

Distortion:< 3% @ 1kHz

Signal to Noise Ratio: ..Typically 75dB below rated output

Frequency Response

Aux input:60Hz - 15kHz, -3dB

Music Input:1V

Aux Input:.....1V

Output Connectors

Speakers:Screw terminals

Output impedance:4-16 Ω

Input Connectors

Aux input:.....RCA stereo socket

Music input:.....3.5mm socket

24V DC power:2.1mm DC Jack connector

Controls:Volume, Bass, Treble, ON/OFF switch

Indicators:Fault, Power

MISC.

Power supply:.....24V DC

Weight: \approx 0.5kg

Dimensions:..... \approx 210W x 140D x 44H mm

Colour:Black

DC Protection: Internal 2A 3AG Fuse

*Specifications subject to change without notice

All Australian made Redback products are covered by a 10 year warranty.

Should a product become faulty please contact us to obtain a return authorisation number. Please ensure you have all the relevant documentation on hand. We do not accept unauthorised returns. Proof of purchase is required so please retain your invoice.

Distributed by Altronic Distributors Pty. Ltd. Perth. Western Australia.
Phone: 1300 780 999 Fax: 1300 790 999 Internet: www.altronic.com.au