

Altronic Distributors warrants this product for one year from date of purchase from Altronics or its resellers to the consumer. If this item is part of an installation or another product, please contact the installer or supplier for your warranty.

During the warranty period, we undertake to repair or replace your product at no charge if found to be defective due to a manufacturing fault. The warranty excludes damage by misuse or incorrect installation (i.e. failure to install and operate device according to specifications in the supplied instruction manual), neglect, shipping accident, or no fault found, nor by use in a way or manner not intended by the supplier.

For repair or service please contact your **PLACE OF PURCHASE**.

If this item was **purchased directly from Altronics** please make a warranty claim by:

1. FOR MAIL ORDER CUSTOMERS (includes school and trade orders),
 - a) Ringing us on 1300 797 007 and quoting your tax invoice number.
 - b) Upon contacting Altronics, we will issue an R.A. (Return Authorisation).
As Altronics have a number of service agents throughout Australia, a copy of the R.A. will be emailed, faxed or mailed to you with full instructions of how and where to send the goods. The freight for shipping goods back to Altronics for all repairs is at the customers expense.
 - c) A copy of the R.A. form, (or at the very minimum, the R.A. number) must accompany the goods to effect the repair.
 - d) Altronics will pay the return freight to the customer where the warranty claim has been accepted.
 - e) Please quote the R.A. number in any correspondence to us.
2. FOR OVER THE COUNTER PURCHASES to make a warranty claim, please return the goods to us in any of our stores, with a copy of your proof of purchase (tax invoice).
 - a) Upon leaving the goods at one of our stores, an R.A. number will be issued to you.
 - b) Once repaired, you will be contacted, advising that the goods are ready to be collected from the store.

It is at Altronics discretion as to whether the goods will be repaired or replaced (whilst under warranty); and as to whether identical goods will be used to replace the item due to changes of models / products.

Note: Under no circumstances should you attempt to repair the device yourself or via a non-authorized Altronics service centre, as this will invalidate the warranty!

Our goods come with guarantees that cannot be excluded under the Australian Consumer Law. You are entitled to a replacement or refund for a major failure and for compensation for any other reasonably foreseeable loss or damage. You are also entitled to have the goods repaired or replaced if the goods fail to be of acceptable quality and the failure does not amount to a major failure.

Distributed by Altronic Distributors Pty. Ltd. Perth. Western Australia.
Phone: 1300 780 999 Fax: 1300 790 999
Internet: www.altronics.com.au



2 CHANNEL UHF WIRELESS MICROPHONE SYSTEMS

C 8881B: 2 Ch Receiver & Two Handheld Microphones

C 8882B: 2 Ch Receiver, Handheld Microphone & Lavalier Beltpack



Operating Instructions

Overview:

These systems provide the freedom of two independent wireless microphones at an economical price. The sturdy 19" rack mount cabinet is fitted with two fixed frequency wireless receivers. The miniaturised SMD construction and unique shielding technique, ensures excellent performance and minimal external interference. Each receiver features an independent front panel level control, AF, RF and peak indicators. Outputs are provided for each channel via 3 pin XLR, plus a mixed output via 6.35mm jack. The aerials are removable for remote mounting if required.

Two complete systems are available. The C 8881A includes receiver and two handheld microphones. The C 8882B includes receiver, one handheld microphone and a lavalier beltack (lapel mic included). A range of 50m or more is obtainable in ideal conditions. The perfect system for wedding ceremonies, DJs, sporting clubs, schools, restaurants and function centres.

Features:

- Operating frequencies 520, 524.3MHz • 19" 1RU rack mount case • Steel enclosure construction • Removable aerials • Individual 3 pin XLR outputs • Mixed 6.35mm TRS jack output • Front panel level controls • RF, AF & peak signal LEDs
- Range up to 50m in ideal conditions • Microphone transmitters require 2 x AA batteries (not included).

TRANSMITTER SPECIFICATIONS

Carrier frequency:UHF 520, 524.3MHz
 Frequency stability:±0.005%
 Operating distance:50m in ideal conditions
 Microphone pickup:Handheld-Dynamic/Lavalier-Condenser
 Power:1.5V AA x 2
 Battery life:8-10hrs operation

RECEIVER SPECIFICATIONS

Sensitivity:.....-105dB
 Spurious emissions:<-80dBc
 Dynamic range:>110dB
 AF output:.....-12dB
 Frequency response:50Hz - 18kHz
 Receiving channels:UHF 520, 524.3MHz
 Power:DC adaptor 12-18V
 Dimensions:480 x 170 x 45mm

NOTE: TWO OR MORE WIRELESS MICROPHONES (HANDHELD AND/OR LAVALIER) WHICH TRANSMIT AT THE SAME FREQUENCY CANNOT BE USED IN THE SAME LOCATION.

DESIGN AND SPECIFICATIONS SUBJECT TO BE CHANGED WITHOUT NOTICE.

PRECAUTIONS:

- * AVOID EXTREMELY DIRTY OR DUSTY ENVIRONMENTS.
- * AVOID AREAS WHERE THERE IS EXTREMELY HIGH HUMIDITY.

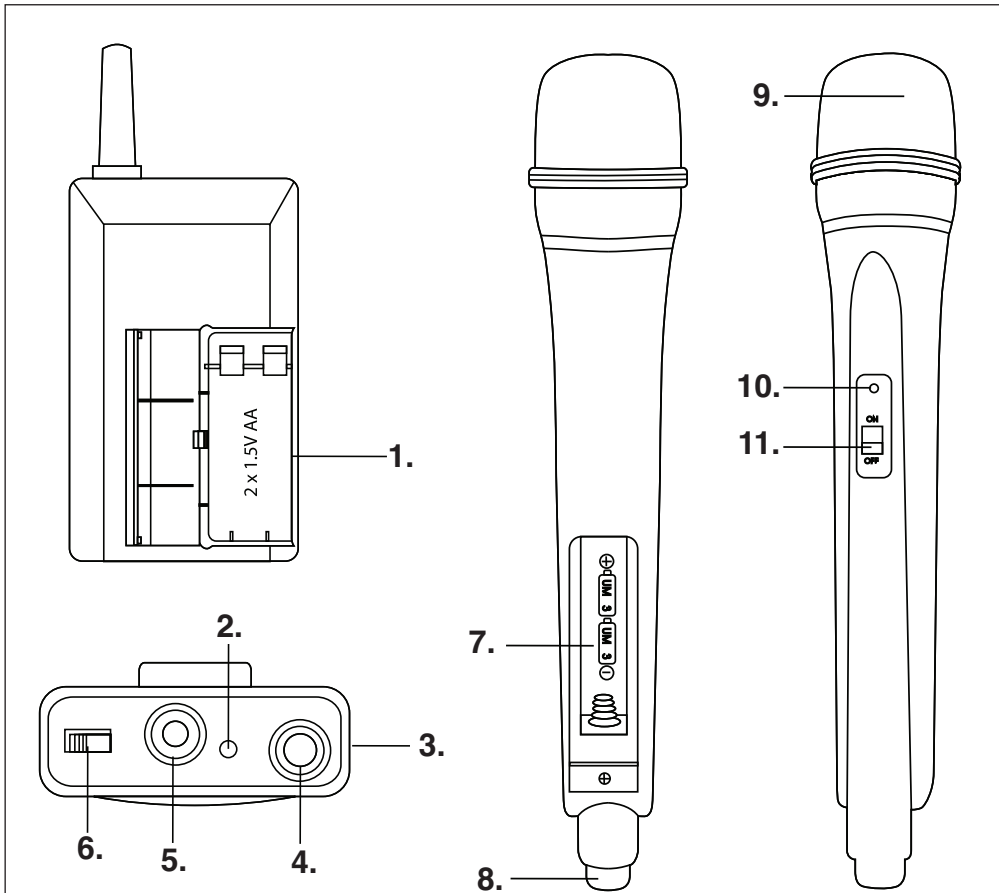


Figure 3: Transmitters

Lavalier Beltpack Transmitter (Left):

1. **Battery Compartment:** Accepts 2 x 1.5V AA batteries.
2. **Low Battery Indicator:** Will flash when turning unit on/off. Illuminates when battery voltage is low.
3. **Input Gain:** Adjusts the level of the microphone.
4. **Antenna.**
5. **3 Pin Mini XLR Socket:** Connects to lapel microphone or headset.
6. **On/Off Slide Power Switch.**

Handheld Microphone (Right):

7. **Battery Compartment:** Accepts 2 x 1.5V AA batteries.
8. **Antenna.**
9. **Grille:** Protects microphone insert from damage.
10. **Low Battery Indicator:** Will flash when turning unit on/off. Illuminates when battery voltage is low.
11. **On/Off Slide Power Switch.**

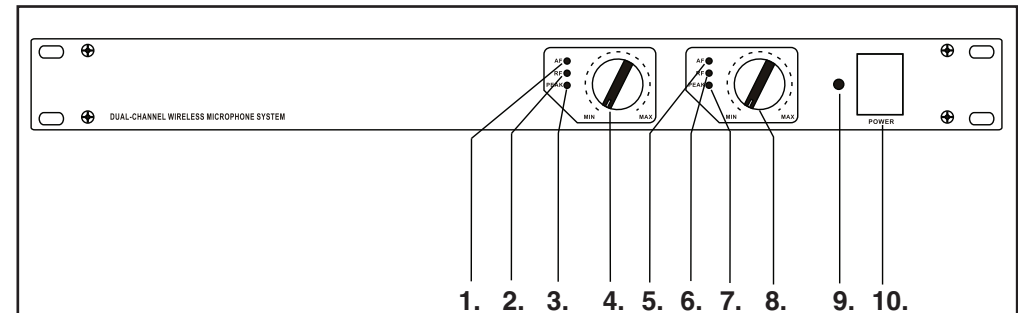


Figure 1: Front Panel

1. **Channel A AF Signal:** LED illuminates to indicate that audio signal has been received.
2. **Channel A RF Signal:** LED illuminates to indicate that signal is being received.
3. **Channel A AF Peak:** LED illuminates to indicate that signal is clipping at peak volume.
4. **Channel A Level Adjustment:** Adjusts the volume output level of Channel A.
5. **Channel B AF Signal:** LED illuminates to indicate that audio signal has been received.
6. **Channel B RF Signal:** LED illuminates to indicate that signal is being received.
7. **Channel B AF Peak:** LED illuminates to indicate that signal is clipping at peak volume.
8. **Channel B Level Adjustment:** Adjusts the volume output level of Channel B.
9. **Power ON LED.**
10. **ON/OFF Rocker Switch.**

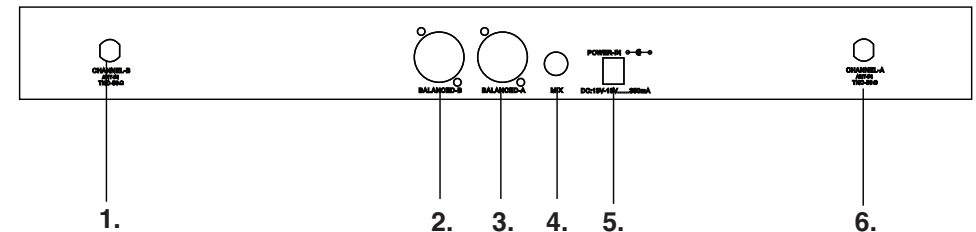


Figure 2: Rear Panel

1. **Channel B Antenna (TNC).**
2. **Channel B 3 Pin XLR Balanced Output.**
3. **Channel A 3 Pin XLR Balanced Output.**
4. **Mixed Output Connector (6.35mm unbalanced):** Combines Channel A & B outputs into a single signal.
5. **Power Input Connector.**
6. **Channel A Antenna (TNC).**

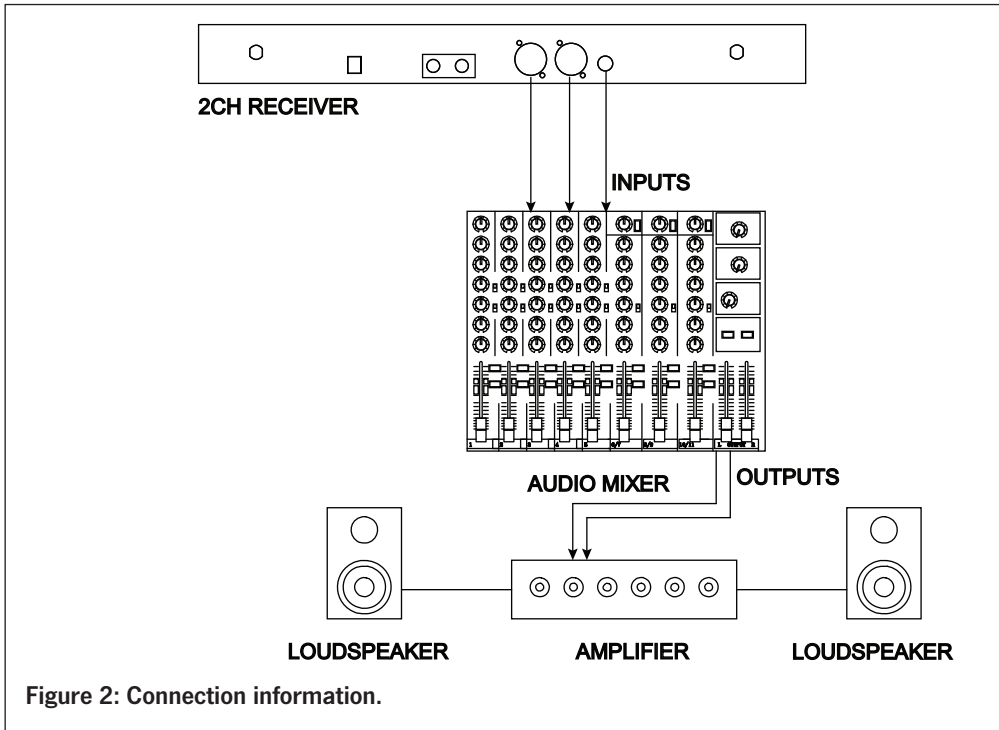


Figure 2: Connection information.

Installation:

Note: Always use good quality batteries to avoid damage resulting from a defective leaking battery.

Install the receiver in locations away from metal objects and avoid obstructions between the transmitter and receiver. To avoid interference, do not place the receiver adjacent to TV, radio, and other wireless appliances where possible.

We recommend you avoid using more than one system in the same area as this will cause interference. Should you require more than one system in an installation use a multi-channel Redback UHF microphone system.

Two outputs are provided. Dual 3-pin balanced XLRs which allow each channel to be fed into an audio mixer or individual amplifiers. Alternatively a 6.35mm TRS socket provides a mixed output of channels A and B, for feeding into an amplifier.

Do not use the both XLR and 6.35mm TRS audio outputs at the same time! This may cause signal loss or increased noise.

Connect the a.c. adaptor, turn the rocker switch to the on position and the power light should illuminate.

Switch on the transmitters (see below for transmitter information). Ensure the transmitter is at least one metre from the receiver.

Check for sound by moving the transmitter around the area where you wish to use the system, to look for dead spots. If you find any dead spot, change the receiver position.

Handheld Transmitter (Both models. See figure 3.)

Insert 2 x 1.5V AA size dry or rechargeable batteries. Note that good quality dry cells will have a longer useage life than rechargeable batteries.

Switch the POWER switch to 'ON', and if the battery has sufficient power, the LED flashes once. If the LED stays on, it indicates

that the battery has insufficient power and should be changed. If the status LED fails to flash, the battery is either dead or the polarity is incorrect.

The microphone is designed so that the LED light remains unlit so that it will not consume power thereby extending the battery life.

Set the levels on your audio mixer or amplifier as appropriate.

Beltpack Transmitter (C 8882B model. See figure 3.)

Insert 2 x 1.5V AA size dry or rechargeable batteries.

Connect the lapel microphone or headset supplied.

Switch the ON/OFF switch to 'ON', and if the battery has sufficient power, the low battery LED flashes once. If the LED stays on, it indicates that the battery has insufficient power and should be changed. If the status LED fails to flash, the battery is either dead or the polarity is incorrect.

Set the beltpack transmitter input attenuation, and audio mixer or amplifier levels as appropriate.

Troubleshooting:

No sound

Check the power supply of the microphone and receiver.

Check audio amplifier or mixer is switched on and the receiver output is connected to audio amplifier or mixer input.

Check whether transmitter is too far away from receiver or SQUELCH control set too high.

Check whether receiver is located too close to a metal object or there are obstructions between transmitter and receiver.

Sound interference

Check that only one system in the area is operating on the frequency of the included transmitters.

Check for interference from other wireless microphones, TV, radio and etc.

Distortion

Check the receiver volume level is not set too high or too low.

Check for interference from other wireless microphones, TV, radio and etc.