

ATEM Television Studio HD8 ISO



ATEM Television Studio HD8 ISO includes all the features of ATEM Television Studio HD8 plus adds ISO recording of all 8 inputs to separate video files. Also supports up to 8 remote cameras via local Ethernet or globally via the internet. Remote cameras even support tally and camera control!

A\$6,189

Connections

SDI Video Inputs

8

SDI Video Outputs

12

SDI Rates

1.5G, 3G

HDMI Video Outputs

1

Total Audio Inputs

2 x XLR balanced analog audio,
1 x BNC 32 Ch MADI digital audio,
2 x RCA stereo analog audio,
1 x 5 pin XLR Talkback.

Total Audio Outputs

4 x 1/4 inch Jack analog audio,
1 x BNC 64 Ch MADI digital audio, up
to 50 active,
1 x 5 pin XLR Talkback.

SDI Audio Inputs

4 Ch embedded audio on all SDI
inputs.

SDI Audio Outputs

2 Ch embedded audio on all SDI
outputs.

Timecode Connections

1 x BNC In, 1 x BNC Out.

Reference Input

1 x BNC In, 1 x BNC Out.
Tri-Sync or Black Burst.

Video Input Re-Sync

On all 8 inputs.

Frame Rate and Format Converters

On all 8 inputs.

SDI Aux Outputs

2

SDI Program Outputs

1

Webcam Output

2 x USB-C supporting 720p or 1080p
at PGM frame rate.

Total Multi Views

1 x 3G-SDI
1 x HDMI

Remote

RJ12 supports RS-422

Control Panel Connection

Ethernet. Direct connection between
panel and chassis, or via network.

Internal Timecode Generator

Yes

Talkback

RJ45 for 3rd party talkback systems.

Tally Output

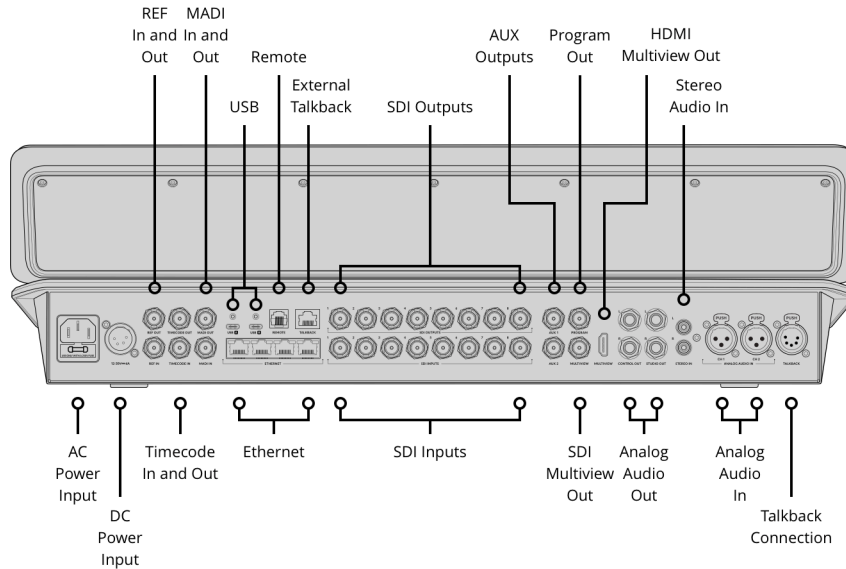
Added via ethernet connection to
Blackmagic Design GPI and Tally
Interface product. (Not included).

Ethernet

4 x RJ45 with internet network switch.
Supports 10/100/1000 BASE-T.

Computer Interface

2 x USB-C supports USB 2.0 for
external drive recording, webcam
out, software control, software
updates and switcher connection.



Standards

SD Video Standards

None

HD Video Input Standards

720p50, 720p59.94, 720p60
 1080i50, 1080i59.94, 1080i60
 1080p23.98, 1080p24, 1080p25,
 1080p29.97, 1080p30, 1080p50,
 1080p59.94, 1080p60

SDI Compliance

SMPTE 292M, SMPTE 296M,
 SMPTE 424M, SMPTE 425M level A
 and B.

Video Sampling

4:2:2

Color Precision

10-bit.

Color Space

REC 709

SDI Auto Switching

Automatically detects between 1.5G-SDI and level A or level B 3G-SDI.

Product Specifics

Upstream Keys

4

Downstream Keys

2

Advanced Chroma Keys

4

SuperSource

1

Linear/Luma Keys

7

Transition Keyer (Stinger/DVE)

1 Stinger, 1 DVE.

Total Number of Layers

8

Pattern Generators

7

Color Generators

2

Control Panel

Integrated panel with full control of switching and settings.

Routable Windows

16

Windows Source Labels

Yes

Tally

Red for program and green for preview indication.

Talkback Support

Yes

Mix Minus Support

Yes

Streaming Sources

Total Streaming Sources

Up to 8

Streaming Source Format

RTMP video with audio over a local network or internet connection from compatible Blackmagic Design cameras outputting HyperDeck High, HyperDeck Medium, HyperDeck Low, Streaming High, Streaming Medium or Streaming Low quality setting. Please refer to either the Manual or the Information Note at www.blackmagicdesign.com/support for data rates.

Streaming Source Setup

Mapped to inputs in ATEM Software Control Settings.

Streaming

Direct Streaming

Supports direct live streaming using Real Time Messaging Protocol (RTMP) over ethernet or a shared internet connection over USB-C.

Recording

Direct Recording Video and Audio

USB-C expansion port can record directly to external media.

Video Recording

Program recorded as a H.264 .mp4 file at the streaming quality setting and at the ATEM video standard with AAC audio.

SDI inputs recorded as separate H.264 .mp4 files at up to 70Mb/s quality at the ATEM video standard with AAC audio.

Audio Recording

Audio inputs recorded as separate 24-bit 48KHz .wav files. Includes 8 x SDI 2 channel embedded audio inputs, 4 x analog audio inputs and up to 32 channels of MADI digital audio.

Switching

Program switching recorded as a DaVinci Resolve project .drp file.

Media

All media pool stills and clips saved to a separate media folder.

Media Format

Supports media formatted ExFAT (Windows/Mac). APFS or HFS+ (Mac).

Multi View Monitoring

Multi View Monitoring

1 x multi view via SDI and HDMI configurable to 16, 13, 10, 7 or 4 up views. Includes monitoring of Program, Preview, Inputs, Media Players, DSKs, SuperSource, Clean Feed with optional labels and audio meters.

Multi View Video Standard

HD

Display Minimum Resolution

1366 x 768

Media Player

Media Players

2

Channels

Fill and key for each media player.

Media Pool Still Image Capacity

20

Media Pool Still Image Format

PNG, TGA, BMP, GIF, JPEG and TIFF.

Media Pool Clip Capacity

2 x up to 1080p60.

Media Player Clip Length in 720 HD

400 frames.

Media Player Clip Length in 1080 HD

200 frames.

Media Pool Video File Format

TGA sequence.

Media Pool Audio File Format

WAV, MP3 and AIFF.

Processing

Processing Delay

< 10 lines when genlocked and in the same format as the switcher.

Audio Mixer

58 Channel mixer.
Selectable On/Off/Audio-Follow-Video.
Level and Peak metering.
Master gain control.
6 band parametric EQ, Dynamics including Expander, Gate, Compressor and Limiter.

Camera Control

When used with most Blackmagic Design cameras, ATEM can control focus, iris and zoom of compatible lenses and camera settings including gain, white balance, tint, shutter, ND filter, color corrector, tally and record start/stop.

Down Conversion

None

Software

Control Panel Included

ATEM Software Control Panel included free for Mac 12.0 Monterey, Mac 13.0 Ventura or later. and Windows 10 or 11.

Software Updates

Using USB or Ethernet connection directly connected to Mac OS or Windows computers. Includes ATEM Setup Utility.

Operating Systems



Mac 12.0 Monterey,
Mac 13.0 Ventura or later.



Windows 10 and 11.

Power Requirements

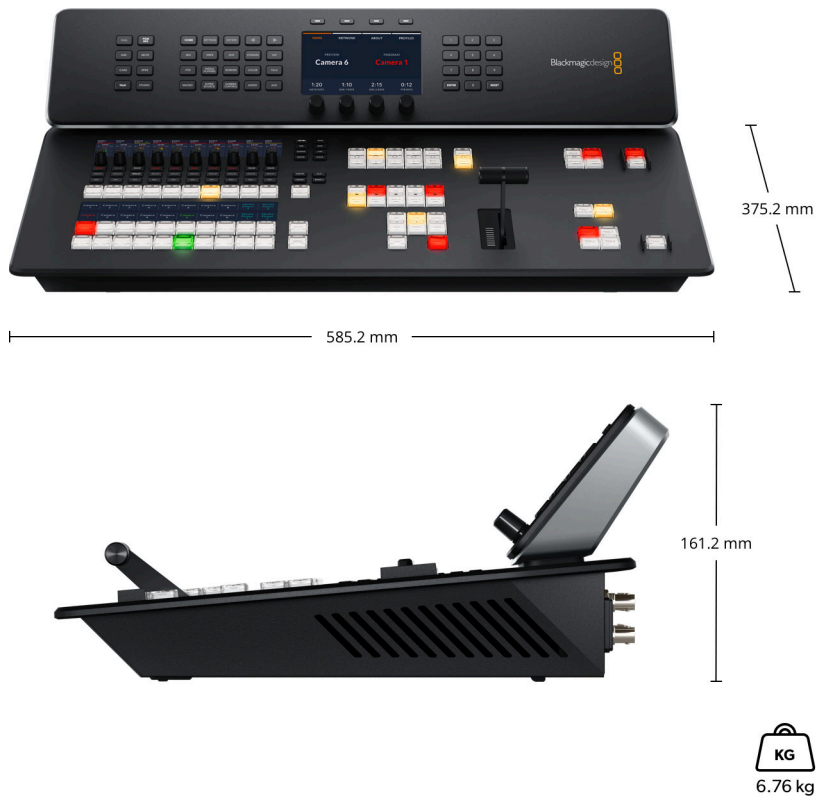
Power Supply

1 x Internal 100 - 240 AC 50/60Hz
with IEC C14 socket.
1 x 4 pin XLR 12V DC In for external
power supply or battery use.

Power Usage

100 W max.

Physical Specifications



Physical Installation

Physical Installation

Desktop or in-desk mount.

Environmental Specifications

Operating Temperature

0° to 40° C (32° to 104° F)

Storage Temperature

-20° to 60° C (-4° to 140° F)

Relative Humidity

0% to 90% non-condensing

What's Included

ATEM Television Studio HD8 ISO

Welcome wallet with QR code for software download

Warranty

12 Months Limited Manufacturer's Warranty.

All items on this website are copyright Blackmagic Design Pty. Ltd. 2023, all rights reserved.

All trademarks are property of their respective owners. MSRP includes GST and excludes shipping costs.

This website uses remarketing services to advertise on third party websites to previous visitors to our site.

You can opt out at any time by changing cookie settings. [Privacy Policy](#)

Blackmagic Design Authorized Reseller