



HORN SPEAKER

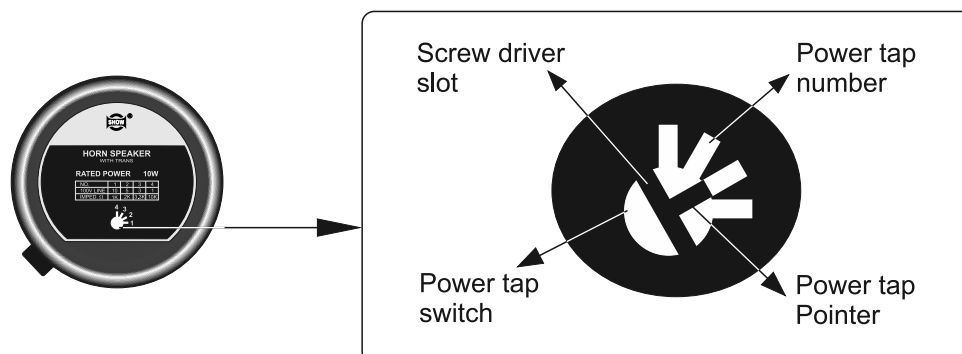
Thank you very much for choosing this **SHOW** product from among a broad variety of models. To obtain maximum effect and to use rightly the speaker, please follow the instructions carefully in this manual. Also, keep this manual anytime for your reference.

How to use

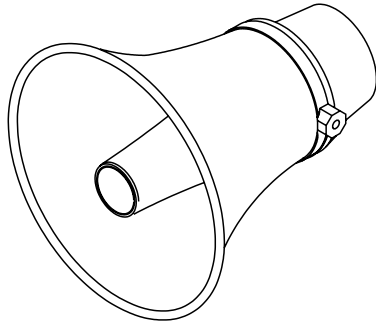
- Careful attention should be required for the polarity when more than two speakers are in operation at the same place, otherwise the sound of poor quality and/or sound pressure of low level will be reproduced.
Connection should be made in the same way as in the case of battery, same polarity with parallel connection and different polarity with series connection.
- When long wiring is called for, the low impedance connection invites larger power loss, resulting in inefficient operation of speakers. In case wiring becomes longer than 50 meters, equip matching transformer and use with proper high impedance.
- For low impedance connection, the total impedance of speakers should be equal to output impedance of amplifier.
- Connect the speakers to be equal the total input power (wattages) to the output power of amplifier for high impedance connection. It means the impedance matching.
- When setting the power tap switch, be certain to use the proper positions for either 25V or 70V systems, to prevent horn damage.
(FOR TC-10B, 15B, 30B / SC-10B, 15B, 30B)

Chang Impedance

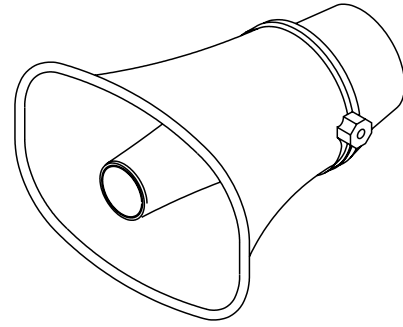
* See instructions on HORN LABEL



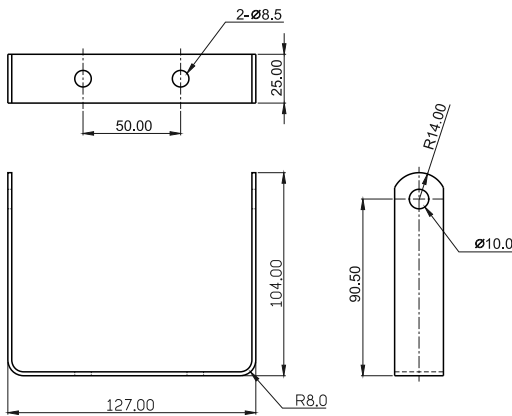
TC-SYSTEM



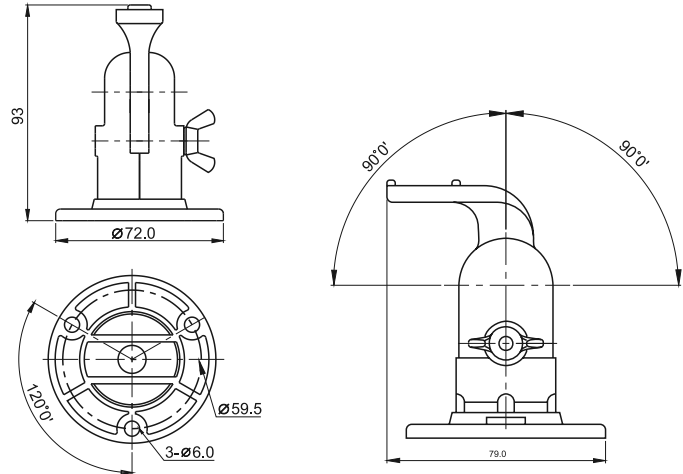
SC-SYSTEM



H-Mouting Bracket



Y-Swivel Bracket



Specifications

MODEL	TC SC -10A		TC SC -10B		TC SC -15A		TC SC -15B		TC SC -30A		TC SC -30B	
Rated Input Power	10 W (100V Line)		10 W (70V,25V Line)		15 W (100V Line)		15 W (70V,25V Line)		30 W (100V Line)		30 W (70V,25V Line)	
Input Impedance	1KΩ		63Ω(25V Line only)		670Ω		42Ω(25V Line only)		330Ω		21Ω(25V Line only)	
	2KΩ		130Ω(25V Line only)		1KΩ		63Ω(25V Line only)		670Ω		42Ω(25V Line only)	
	3.3KΩ		500Ω		2KΩ		170Ω(25V Line only)		1KΩ		63Ω(25V Line only)	
	10KΩ		1KΩ		3.3KΩ		330Ω		2KΩ		170Ω	
			1.7KΩ		10KΩ		500Ω		3.3KΩ		330Ω	
			2.9KΩ				1KΩ		10KΩ		500Ω	
							1.3KΩ				1KΩ	
							2.3KΩ				1.3KΩ	
											2.3KΩ	
Preset Impedance	1KΩ		500Ω		670Ω		330Ω		330Ω		170Ω	
Frequency response	315~12.500HZ		315~12.500HZ		280~12.500HZ		280~12.500HZ		250~16.000HZ		250~16.000HZ	
Sound Pressure level	105dB/W/m		105dB/W/m		108dB/W/m		108dB/W/m		109dB/W/m		109dB/W/m	
Dimensions	TC-10A	SC-10A	TC-10B	SC-10B	TC-15A	SC-15A	TC-15B	SC-15B	TC-30A	SC-30A	TC-30B	SC-30B
Horn Flare :	Aluminum ø161.5 mm	ABS resin 176mmx 125.5mm	Aluminum ø161.5 mm	ABS resin 176mmx 125.5mm	Aluminum ø212.5 mm	ABS resin 222mmx 161.5mm	Aluminum ø212.5 mm	ABS resin 222mmx 161.5mm	Aluminum ø259 mm	ABS resin 287mmx 208mm	Aluminum ø259 mm	ABS resin 287mmx 208mm
Length :	186.5 mm	179.5 mm	186.5 mm	179.5 mm	229.5 mm	227.5 mm	229.5 mm	227.5 mm	261 mm	257.5 mm	261 mm	257.5 mm